



**Features:**

- ▶ State of Art microcontroller based design
- ▶ 1 Line 4 Digit ultra bright LED display
- ▶ Site Programmable PT ratio
- ▶ True RMS measurement
- ▶ Total harmonic measurement for voltage
- ▶ Auto ranging
- ▶ Universal Auxiliary supply



**Advantages:**

- ▶ Cost-effective
- ▶ Accurate reading
- ▶ Long life compared to Analog, as no moving parts
- ▶ Reduce panel space, wiring and installation time
- ▶ Precise onsite display

**Applications:**

- ▶ Industrial application and Automation
- ▶ Control Panel
- ▶ Equipment Monitoring
- ▶ Distribution Systems
- ▶ Test bench

**Measuring Parameters**

- ▶ Voltage (L-L)
- ▶ Voltage (L-N)
- ▶ Total Harmonic Distortion (Phase wise): Voltage
- ▶ System Frequency

**Supply Voltage**

Auxiliary Supply                      90-270V AC/DC (±15%)  
 Frequency                              50/60 Hz

**Display**

Display                                      4 digits 7 segment LED display of 1 row  
 Digit Height                              0.56" (14.3mm)  
 Display Scrolling                      Automatic/Manual

**Settable Parameters**

P.T. Ratio                                Upto 132 kV

**Input Specifications**

Electrical Connection                1Ø-2 wire  
 Input Voltage Range                0-500V AC (L-L)  
 Frequency                                45-65 Hz  
 Resolution                                Voltage: Autoranging  
     Frequency: 0.01  
 Accuracy                                 ▶ Voltage ±0.5% of F.S.  
     ▶ Frequency ±0.1% of F.S.  
 Burden                                    Voltage: 0.2 VA max per input  
     Aux. Supply: 3 VA max.

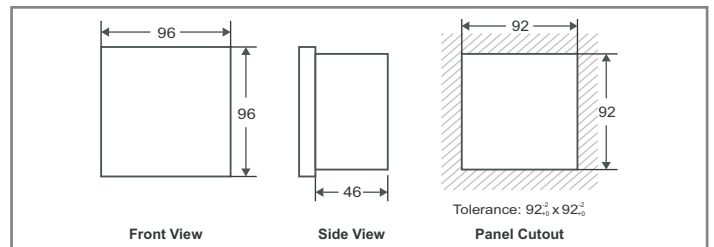
**Environmental Specifications**

Temperature                              Operating : -10° to 55°C  
     Storage : -20° to 75°C  
 Humidity                                 < 95% RH

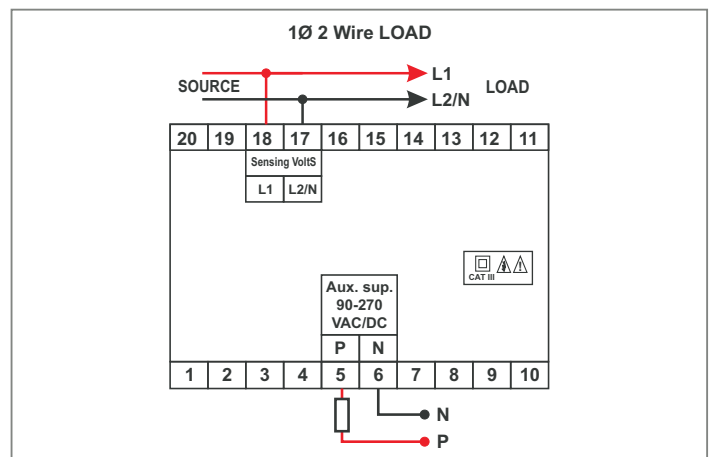
**Mechanical Specifications**

Mounting                                 Flush Mounting with Side Clamps  
 Weight                                    120 g  
 Enclosure Material                    ABS Thermoplastic

**Dimension**



**Connection Diagram**



**Ordering Information**

Ordering Code	Description
VIPS 91E	1Ø Voltmeter