



Features:

- ▶ ABS plastic moulding
- ▶ Apertures accepting a wide range of bus bar
- ▶ CTs are ultrasonically welded and unbreakable



Advantages:

- ▶ Easy bus bar mounting
- ▶ Highly cost effective
- ▶ Compact in size

Applications:

- ▶ Switchgear
- ▶ Distribution system
- ▶ Generator sets
- ▶ Control Panels
- ▶ Control Devices
- ▶ Overload protection

Input Specifications

Rated Primary Current	150A to 800A
Rated Secondary Output	5A/1A (Consult factory)

Technical Specifications

Rated Burden	2.5 VA and 5 VA
Class of Accuracy	1
Thermal Nominal Continuous	1.2 times rated current continuously
Rated Current	2.55x Ith
Thermal short circuit current	60xIn
Insulation Class	Class E
Max. Operating Voltage	720V maximum
Insulation Test Voltage	3KV AC for 1 minute
Compliance Standard	VE404 and IEC185

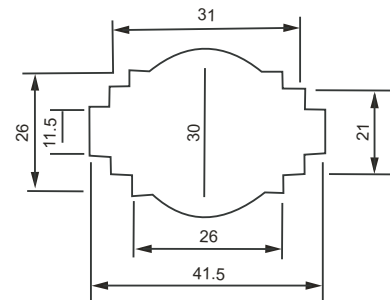
Environmental Specification

Operating Temperature	20°C to 70°C
Storage Temperature	0°to 55°C
Humidity	<95% RH

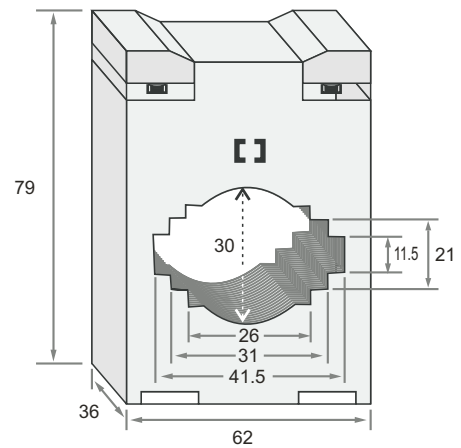
Ordering Information

Ordering Code	Ratio	Class	Burden (VA)
VIPS 4401-150/5-1-2.5	150/5	1	2.5
VIPS 4401-200/5-1-2.5	200/5	1	2.5
VIPS 4401-250/5-1-2.5	250/5	1	2.5
VIPS 4401-300/5-1-5	300/5	1	5
VIPS 4401-400/5-1-5	400/5	1	5
VIPS 4401-500/5-1-5	500/5	1	5
VIPS 4401-600/5-1-5	600/5	1	5
VIPS 4401-750/5-1-5	750/5	1	5
VIPS 4401-800/5-1-5	800/5	1	5

Dimensions



Bus Bar Dimension (mm) : 11.5 x 41.5, 26 x 26, 31 x 12, Ø30



Outer Dimension: 62 x (W) x 79 (H) x 36 (D)