



**VERITEK**



## Product Selection Guide



- ◀ Multifunction Meters
- ◀ Digital Panel Meters
- ◀ Current Transformers
- ◀ Protection Relays
- ◀ Transducer
- ◀ Timers
- ◀ Energy Audit System

## Company overview...

Factory at Navi Mumbai is one of the mile stone in Veritek's Success story.

Veritek has grown extraordinarily well for the last 15 years through its innovative products & customer support.



Products are manufactured on one of the latest Panasonic SMT machines, in-circuit testers (from USA) ensures that the manufacturing process are error free

Inhouse enclosure molding with own moulds ensures best quality finishing and aesthetic of our products.



Product Assembly line for Customised Products.

**VERITEK** is into manufacturing of Current Transformer, Electronic Protection Relays, Electrical Transducers & Indicating Instruments for more than a Decade (Estd. 1995).

Team of Qualified Engineers backed with integrated R & D, Production Facility & Stringent Quality Standards to give you high Quality and Superior Products.

A man is only as big as his character and a company is only as big as its **Quality**. Everything else - Financial success, Market prominence - is an accompaniment. Success in the market without success in Quality is a short lived phenomenon.

The company that knows this overcomes its limitations of size & turns into a unique entity with its size always smaller than its Quality.

Our **Motto** is timely supply of reliable & accurate goods with innovative features for Customer Satisfaction.

Our Products are well accepted in the international markets

Here  
Reliability  
&  
Accuracy  
Meets

## Index

Products	Pg. No.
Multifunction Meters / VIF Meters	04
Energy Meters / Single Phase Meters	05
Three Phase Meters / Analog Meters	06
PF / KVAR Controller / DC Meters	07
Earth Leakage Relays	08
Core Balance CT (ZCT) / Voltage / Current Relays	09
Engine / Motor Protection Relays / Voltage Relays	10
Energy Audit Supervisor	11
P Series Current Transformers	12
E Series Current Transformers	15
Timers	17
Other Products	18
Mechanical Dimensions Thermostat / Hygrostat / Space Panel Heater	19



For Dimension refer diagram A on page no. 19

Dimension : 96x96 | Panel Cutout : 92x92

Description		MULTIFUNCTION METER		
Model	VIPS80P (96x96)	VIPS80L (96x96)	VIPS80EL (96x96)	VIPS60 (96x96)
Display	7 segment LED display, 0.39"		Liquid crystal display with backlight	7 segment LED display, 0.56"
Digits	4 rows of 4 digits	4 rows of 4 digits (For parameter) 1 row of 8 digits (For energy) Bargraph for % load current	4 rows of 4 digits (For parameter) 4 rows of 8 digits (For energy)	3 rows of 4 digits
Input Volts	0-500VAC (L-L), 3Ø-4 Wire / 1Ø-2 Wire			
Input Ampere	0.015A-6.00 Ampere AC / Direct 60 Ampere optional			
Resolution	Energy 0.1 kWh, PF 0.001, Hz 0.01 & Auto ranging for Voltage, Current & Power			
CT Primary	Programmable for up to 10000A			
CT Secondary	1A / 5A Programmable			
PT Ratio	Programmable up to 132 kV			
Communication	RS485 Modbus (Optional)			
Auxiliary Supply	90 - 270VAC / DC			
Burden	3VA Max. for Auxiliary supply, 0.2VA for Voltage & Current input			
Update Time	1 Sec			
Scroll	Auto / Manual			
Parameter	V <sub>LL</sub> (Individual / Average) V <sub>LN</sub> (Individual / Average), Current (Individual / Average) Phasor angle, Frequency, Power factor (Individual / Average), Phase angle, Active / Reactive / Apparent power (Individual / Total), Maximum demand (kW / kVA), Peak maximum demand (kW / kVA), Active energy, Reactive inductive energy Reactive capacitive energy, Apparent energy (Import & Export) Run hour (Import / Export & Total), THD V (Phase wise), THD I (Phase wise)			V <sub>LL</sub> (Phase wise), V <sub>LN</sub> (Phase wise) Ampere (Phase wise), Hz PF (Phase wise), Active / Reactive / Apparent power (Phase wise), Active energy, Run hours, THD V (Phase wise) THD I (Phase wise)
Relay Output	1 C/O relay for Maximum Demand			
Temperature / Humidity	Operating: -10°C to 55°C, Storage: -20°C to 75°C < 95% RH			



VIPS83P

VIF METER



For Dimension refer diagram A on page no. 19  
Dimension / Panel Cutout : 96x96 / 92x 92

Description		1Ø VIF METER	3Ø VIF METER
Model	VIPS83P1 (96x96)	VIPS83P (96x96)	
Display	7 segment LED display, 0.56"		
Digits	3 rows of 3 digits		
Input Volts	0-300VAC (L-N), 1Ø-2 Wire	0-500VAC (L-L), 3Ø-4 Wire / 1Ø-2 Wire	
Input Ampere	0.05 - 6.00 Ampere AC / 60 Ampere direct optional		
Resolution	Hz 0.1 & Auto ranging for Voltage, Current & Power		
CT Primary	Programmable for up to 5000A		
CT Secondary	1 / 5A Programmable		
PT Ratio	---	Upto 132kV	
Auxiliary Supply	90 - 270VAC / DC		
Burden	3VA Max. for Auxiliary supply, 0.2VA for Voltage & Current input		
Update Time	1 Sec		
Scroll	Auto / Manual		
Parameter	VL-N, Ampere, Hz, PF, Active power, Apparent power Run Hour, RPM	VL-L phase wise, VL-N phase wise, Hz, PF Phase wise Active power phase wise, Apparent power phase wise Run Hour, RPM	
Temperature / Humidity	Operating: -10°C to 55°C, Storage: -20°C to 75°C < 95% RH		

## VIPS84 / VIPS84P / VIPS84D DUAL SOURCE

## ENERGY METER



For Dimension refer diagram A on page no. 19

Dimension : 96x96 | Panel Cutout : 92x92

Description	ENERGY METER				
Model	VIPS84 (96x96)	*VIPS84P (96x96)	VIPS84D DUAL SOURCE (96x96)	VIPS84C (96x96)	VIPS84L (96x96)
Display	7 segment LED display, 0.39"		7 segment LED display, 0.39"	6 digit mech. counter	9 digit LCD display with backlight
Digits	1 row of 8 digits (For energy), 1 rows of 4 digits (For parameter display)		4 rows of 4 digits	1 row of 6 digits	1 row of 9 digits
Input Volts	0-500VAC (L-L), 3Ø-4 Wire / 1Ø-2 Wire				
Input Ampere	0.015A-6.00 Ampere AC / 60 Ampere direct optional				
Resolution	Energy 0.1 kWh, PF 0.001, Hz 0.01 & Auto ranging for Voltage, Current & Power			0.1 kWh	
CT Primary	Programmable for up to 10000A			Programmable up to 5000A	
CT Secondary	1A / 5A Programmable			5A	
PT Ratio	Up to 132 kV			---	
Communication	---	*RS485 MODBUS	RS485	---	
Auxiliary Supply	90 - 270VAC / DC				
Burden	3VA Max. for Auxiliary supply, 0.2VA for Voltage & Current input				
Update Time / Scroll	1 Sec / Auto / Manual				
Parameter	Active energy, VL-L Phase wise, VL-N Phase wise, Hz, PF Phase wise Active, Reactive & Apparent, power phase wise, Load hours THDV Phase wise, THDI Phase wise		VL-L, VL-N Phase wise & Avg. Ampere phase wise & Avg. Hz, PF Phase wise & system, Active, Reactive & Apparent Power phase wise & Total, Active energy, Reactive inductive energy, Reactive capacitive energy, Apparent energy (Mains / DG), Run hours (Mains, DG & Total)		kWh
Temperature / Humidity	Operating: -10°C to 55°C, Storage: -20°C to 75°C < 95% RH				

Also Available

VIPS 84C  
Pulse output optional

## VIPS91E / VIPS92E / VIPS999

## SINGLE PHASE METER



For Dimension refer diagram A & B on page no. 19

Dimension : 96x96 | Panel Cutout : 92x92

Description	1Ø VOLTMETER	1Ø AMPERE METER	1Ø POWER METER
Model	VIPS91E (96x96), VIPS91PE (96x48)	VIPS92E (96x96), VIPS92PE (96x48)	VIPS999 (96x96), VIPS999P (96x48)
Display	7 segment LED display, 0.56"		
Digits	4 digit 1 row		
Input Volts	0-500VAC (L-L), 0-300VAC (L-N)	---	0-300VAC (L-N)
Input Ampere	---	0.015 - 6.00A / Direct 60 ampere optional	---
Resolution	Auto ranging, Hz 0.01	Auto ranging	Energy 0.1 kWh, PF 0.001, Hz 0.01 Auto ranging for volts / ampere & Power
CT Primary	---	Programmable up to 10000A	
CT Secondary	---	1A / 5A Programmable	
PT Ratio	Up to 132 kV	---	Up to 132 kV
Communication	RS485 Modbus (On special request)		
Burden	3VA Max. for Auxiliary supply, 0.2VA for Voltage & Current input		
Update Time	1 Sec		
Scroll	Auto / Manual		
Parameter	Fixed: Volts Auto Scroll: Volts, Hz, THD V	Fixed: Amps Auto Scroll: Amps, Hz, THD I	Volts, Amps, Hz, PF, Active Power, Reactive Power, Apparent Power, Energy, THDV, THDI, Load hours
Temperature / Humidity	Operating: -10°C to 55°C, Storage: -20°C to 75°C < 95% RH		

## VIPS88 / VIPS89 / VIPS883

## THREE PHASE METER



For Dimension refer diagram A on page no. 19

Dimension : 96x96 | Panel Cutout : 92x92

Description	3Ø VOLTMETER	3Ø AMPERE METER	3Ø POWER METER
Model	VIPS88 (96x96)	VIPS89 (96x96)	VIPS883 (96x96)
Display	7 segment LED display, 0.56"		
Digits	4 digit 1 rows		
Input Volts	0-500VAC (L-L)	---	0-500VAC (L-L)
Input Ampere	0.015 - 6.00A / Direct 60 ampere optional		
Resolution	Auto ranging, Hz 0.01	Auto ranging	Energy 0.1 kWh, PF 0.001, Hz 0.01 Auto ranging for volts / ampere & Power
CT Primary	---	Programmable up to 10000A	
CT Secondary	---	1A / 5A Programmable	
PT Ratio	Up to 132 kV	---	Up to 132 kV
Communication	RS485 Modbus (Optional)		
Burden	3VA Max. for Auxiliary supply, 0.2VA for Voltage & Current input		
Update Time	1 Sec		
Scroll	Auto / Manual		
Parameter	V L-L, VL-N Phase wise & Avg. Hz, THDV Phase wise & Avg.	Ampere phase wise & Avg. THDI Phase wise & Avg.	VL-L, VL-N Phase wise & Avg, Ampere Phase wise & Avg, Hz, PF Phase wise & system, Active, Reactive, Apparent Power phase wise & Total, Energy THDV, THDI, Load Hours.
Temperature / Humidity	Operating: -10°C to 55°C, Storage: -20°C to 75°C < 95% RH		
Auxiliary Supply	90 - 270VAC / DC		

## VIPS-69 / VIPS-27

## ANALOG METER



For Dimension refer diagram A & C on page no. 19

Description	Specification	Model of 96 Sq.	Model of 72 Sq.	Accuracy	
AC Ammeter	From 10A, 15A, 20A, 30A TO 3000A, 5000A	With external CT 1A or 5A	VIPS - 69AAC	VIPS - 27AAC	Class 1.5
	From 0.1A, 0.5A, 1A, 5A, 10A, 25A TO 80A, 100A	AC direct connection			
DC Ammeter	From 50uA, 100uA, 1mA, 5mA 1A, 5A, 10A, 25A, 30A TO 100A	DC direct connection	VIPS - 69ADC	VIPS - 27ADC	Class 1.5
	From 10A, 15A, 20A, 30A, 2500A, 3000A TO 8KA, 10KA	with external shunt 50mV, 60mV OR 75mV			
AC Voltmeter	From 30V, 50V, 100V TO 300V, 500V, 600V	AC direct connection	VIPS - 69VAC	VIPS - 27VAC	Class 1.5
	From 1KV, 2KV, 5KV TO 380KV, 450KV	with external voltage transformer			
DC Voltmeter	From 10V, 20V, 30V TO 500V, 600V, 1000V	DC direct connection	VIPS - 69VDC	VIPS - 27VDC	Class 1.5
	From 1KV, 2KV, 5KV TO 8KV, 9KV, 10KV	With external resistor			
Frequency Meter	Voltage: 110V, 220V, 380V, 440V Frequency: 45-55Hz, 45-65Hz, 55-65Hz, 47-53Hz	.....	VIPS - 69HZ	VIPS - 27HZ	Class 1.0
Power Factor Meter (cos Ø)	Voltage: 110V, 220V, 380V, 440V CURRENT: 1A OR 5A Scale: 0.5cap-1-0.5ind, 0.3cap-1-0.1ind, 0.7cap-1-0.2ind	For 1ØOR 3Ø	VIPS - 69PF	VIPS - 27PF	Class 2.5
Power Meter (kW OR kVAr)	Voltage: 110V, 220V, 380V, 440V Current: 1A OR 5A	For 1P1W, 3P3W, 3P4W With CT or voltage transformer	VIPS - 69KW VIPS - 69KVar	VIPS - 27KW VIPS - 27KVar	Class 1.5
Maximum Demands Ammeter	15MIN 5A, OR 15MIN 1A	Changeable scale	VIPS - 69AMD	VIPS - 27AMD	Class 3.0



Dimension : 122 x 122 x 86 (L x W x D mm)  
 Panel Cutout : 118 x 118 x 82 (L x W x D mm)

Description	PF / KVAR CONTROLLER
Model	VIPS-108
Display	7 segment LED display, 0.56"
Digits	1 row of 4 digits
Input Volts	0-500VAC (L-L), 3Ø-4 Wire
Input Ampere	0.05 - 6.00 Ampere AC
Resolution	PF 0.001
CT Primary	Programmable for up to 5000A
CT Secondary	5A
No. of Steps	4 / 6 / 8 / 12 & 16
Auxiliary Supply	415VAC (+15% -25%)
Burden	3VA Max. for Auxiliary supply, 0.2VA for Voltage & Current input
Update Time	1 Sec
Mode of Operation	Auto / Manual
Temperature / Humidity	Operating: -10° C to 55° C, Storage: -20° C to + 75° C, < 95% RH



For Dimension refer diagram B on page no. 19

Description	DC VOLTMETER	DC AMMETER
Model	VIPS 91PD (48x96)	VIPS 92PD (48x96)
Display	7 segment LED display	
Digits	4 digits 1 row	
Auxiliary Supply	90-270 VAC/DC	
Input	±0-1 V, 0-5V, 0-10 V, 0-200V, 0-300V, 0-1000V	±0-75mV (shunt), (Shunt ratio programmable)
Accuracy	Class 1	
Resolution	Programmable / Auto Ranging	
Update Time	1 sec	
Temperature	-10 to 55 deg C	
Humidity	< 95% RH	



For Dimension refer diagram D/E on page no. 19

Description	DIN RAIL MOUNT EARTH LEAKAGE RELAY		
Model	VIPS-98P	VIPS-98I	VIPS-98
Display	Bargraph	---	---
Auxiliary Supply	90 - 270VAC/DC	240VAC, (+15% -25%)	90 - 270VAC/DC
Burden On Supply	<3 VA		
Set Point ( $I_{\Delta n}$ )	0.03, 0.1, 0.3, 0.5, 1.0, 3.0, 5.0, 10.0, 20.0 & 30.0 Amps	30mA / 100mA / 300mA (Factory set) Any other on request	300mA to 3.0 / 1A to 10A Any other on request
Delay	0 (< 25mS for Fault current >5 $I_{\Delta n}$ ), 60, 150, 250, 500, 800 msec, 1, 2, 5, 10, Sec	Less than 100ms	0.1 to 10 Sec Adjustable
Relay Contacts	1 Potential free contact (NO, C & NC) / 2C/O Optional (energise on trip)		
Reset	Manual		
Trip Relay	80 - 90% of Set point		
Alarm Relay	50% of Set Value (Optional)	---	---
Contact Rating	6 Amps / 230VAC / 28VDC		
Temperature	<b>Operating:</b> -10° C to 55° C, <b>Storage:</b> -20° C to + 75° C		
Humidity	<95% RH (non condensing)		
Dimensions	Refer diagram E on page no. 19	Refer diagram D on page no. 19	Refer diagram E on page no. 19
Mounting	Din (35 mm rail)	Din (35 mm rail) / 2 x m4 screw	Din (35 mm rail)
Input	CBCT 35/70/120/210mm ID	Inbuilt CBCT 25mm dia	CBCT 35/70/120/210mm ID (any other circular / rectangular size on request)
Special Features	CBCT open circuit detection	---	CBCT open circuit detection



Dimension : 96x96 | Panel Cutout : 92x92

Description	DOOR MOUNT EARTH LEAKAGE RELAY		
Model	VIPS-98 PF (96x96)	VIPS-98L (96x96)	VIPS-98D (96x96)
Display	7 segment LED display	LCD display	---
Input	CBCT 35/70/120/210mm ID (any other circular / rectangular size on request)		
Auxiliary Supply	90 - 270VAC/DC	240VAC / 110VAC, (+15% -25%)	
Burden On Supply	<3 VA		
Set Point ( $I_{\Delta n}$ )	0.03, 0.1, 0.3, 0.5, 1.0, 3.0, 5.0, 10.0, 20.0 & 30.0 Amps	10mA up to 12 Amps	1 - 8 Amps (Any other on request)
Delay	0 (< 25mS for Fault current >5 $I_{\Delta n}$ ), 60, 150, 250, 500, 800 msec, 1, 2, 5, 10, Sec	0.05 to 5 Sec	0.05 to 3 Sec
Relay Contacts	1 Potential free contact (NO, C & NC), 2 C/O on request (energise on trip)		
Reset	Manual		
Trip Relay	80 -90% of Set point		
Alarm Relay	50% of Set Value (Optional)	---	---
Contact Rating	6 Amps / 230VAC / 28VDC		
Temperature	<b>Operating:</b> -10° C to 55° C, <b>Storage:</b> -20° C to + 75° C		
Humidity	<95% RH (non condensing)		
Special Features	CBCT open circuit detection		



**Common Features:**

All ratios available to match commonly available ELR's  
 Slim Design  
 Light Weight  
 Encapsulated CBCT  
 Terminals are finger proof touch as per IEC  
 Highly Cost effective  
 Compact in size

**Specification:**

<b>System Voltage</b>	720 V maximum	<b>Distance Between Toroid and relay</b>	< 50 meters
<b>Insulation Voltage</b>	3kV for 1minute	<b>Operating Temperature</b>	- 20° C to 70° C
<b>System Frequency</b>	50 Hz or 60 Hz	<b>Humidity</b>	<95% RH (non condensing)
<b>Max. Permissible Current</b>	1KA continues 5KA for 1.5 Sec.	<b>Enclosure</b>	Flame retardant glass filled ABS
<b>Terminal Conductor</b>	≤ 2.5mm <sup>2</sup>	<b>Compliance with</b>	IEC 44 - 1 and IEC185
<b>Current Ratio</b>	1 / 1000, 1 / 600 any other on request	<b>Mounting</b>	Four Fixing Slots



Rectangular CBCT available in Customised Sizes

Round CBCT available in Customised Sizes



VIPS-VFT 01  
VOLTAGE & Hz RELAY



VIPS-AT 01  
CURRENT RELAY

Model	VOLTAGE & Hz RELAY	CURRENT RELAY
<b>Features</b>	<p><b>Programmable :</b> A) Under / Over Voltage                      B) Under/Over Frequency                      C) Phase Failure                      D) Phase Reversal                      E) Voltage Asymmetry                      F) Power ON Delay &amp; Auto Reset Time</p> <p>Configurable for 3 Phase &amp; 1 Phase system                      Individual Faults can be deactivated as per system requirement                      Programmable Delay &amp; Hysterises                      Auto / Manual Reset option                      Consistent reliability with high accuracy                      3 Digit Bright Display to indicate Voltage / Hz.                      LED indication for healthy / faulty status</p>	<p><b>Programmable :</b> A) CT Ratio                      B) Under / Over Current                      C) Phase Fail                      D) Phase Reversal                      E) Current Asymmetry                      F) Starting time delay &amp; Auto reset time</p> <p>Configurable for 3 Phase &amp; 1 Phase system                      Individual Faults can be deactivated as per system requirement                      Programmable Delay &amp; Hysterises                      Auto / Manual Reset option                      Consistent reliability with high accuracy                      3 Digit Bright Display to indicate Current.                      LED indication for healthy / faulty status</p>
<b>System</b>	3 Phase 4 wire / 1 Phase system	
<b>Burden on Supply</b>	< 3 VA	
<b>Delay</b>	0.2 Sec. to 99 Sec.	
<b>Relay Contacts</b>	1 Potential Free Contact (NO, C & NC) (De-Energise on Fault)	
<b>Contact Rating</b>	6 Amps / 230 V AC / 28 V DC	
<b>Nominal Voltage</b>	240 VAC	---
<b>Nominal Current</b>	---	5 Amps (Any other on request, 30A Direct optional)
<b>Set Point</b>	Voltage : +/- 25% of nominal, Hz : +/- 10 Hz Voltage Asymmetry : 0 - 99 V Hysterisis : 1% - 10%	10% - 120% of nominal current
<b>Accuracy</b>	Class 1	
<b>Operating</b>	-10° C to 55° C, Storage: -20° C to + 75° C	
<b>Humidity</b>	< 95% RH (non condensing)	
<b>Dimension</b>	90 x 45 x 75 mm (L x B x H)	
<b>Mounting</b>	Din (35 mm rail) / 2 x m4 screw	
<b>Weight</b>	200 gms	

For Dimension refer diagram E on page no. 19



For Dimension refer diagram A on page no. 19

Dimension / Panel Cutout : 96x96 / 92x92

Description	ENGINE PROTECTION RELAY	MOTOR PROTECTION RELAY
<b>Model</b>	<b>VIPS-802</b> (96x96)	<b>VIPS83M</b> (96x96)
<b>Display</b>	7 segment LED display, 0.56"	7 segment LED display, 0.39"
<b>Digits</b>	1 row of 3 digits	4 rows of 4 digits, Bargraph for % load current
<b>System</b>		3Ø-4 Wire
<b>Auxiliary Supply</b>	8.5VDC TO 32VDC	90 - 270VAC / DC
<b>Burdon on Auxiliary</b>	<3VA	
<b>Current Input</b>	---	0.05 to 6.00 Amps
<b>Burden on CT</b>	---	<0.2 VA for Voltage & Current input
<b>Resolution</b>	---	Volts: 1V, Hz: 0.1 Hz, Amps: 0-99 : 0.1A, 100-999 : 1A, >1000 : 0.01kA
<b>Relay Contact</b>	Potential Free Contact (NO & NC) A) Alarm Relay, B) Stop / Fuel Relay (2C/O), C) Cranking Relay	1 C / O potential free contact (NO, C NC) De-energise on fault
<b>Contact Rating</b>	5 Amps / 230VAC / 28VDC	
<b>Potential Free Input</b>	A) Start, B) Emergency Stop, C) Low Oil Pressure D) High Coolant Temp. E) Low Fuel Level	
<b>Analog Input</b>	30 - 300 VAC 50 / 60 Hz for Hz Measurement	
<b>Parameter Displayed</b>	VDC, Over speed limit, No. of start attempts, Frequency	V L-L Phase wise, VL-N Phase wise Ampere Phase wise, Frequency system, Earth leakage current, Run hours
<b>Alarm</b>	Over speed, Low lube oil pressure, High coolant temp. Low Fuel level, Emergency stop, Low battery voltage	Under / Over Voltage, Voltage asymmetry, Phase loss, Phase reversal, Under / Over current, Phase loss, Current asymmetry, Under / Over frequency, locked rotor, Rotor earth fault
<b>Temperature / Humidity</b>	<b>Operating:</b> -10° C to 55° C, <b>Storage:</b> -20° C to + 75° C, < 95% RH	



VIPS-101  
UV, OV & PR VOLTAGE RELAY



VIPS-102  
UNDER VOLTAGE RELAY  
(DELAYED RESTART)

Description	UV / OV / PR RELAY	UNDER VOLTAGE RELAY (DELAYED, RESTART)
<b>Model</b>	<b>VIPS-101</b>	<b>VIPS-102</b>
<b>Features</b>	Consistent Reliability with High Accuracy Trip Setting through Front Panel Potentiometer Time Delay User Settable LED Indication For Healthy / Faulty Status Compact Size 17.5 mm DIN Under voltage / Over voltage / Phase reversal	Consistent Reliability with High Accuracy Time Delay User Settable LED Indication For Healthy / Faulty Status Compact Size 17.5 mm DIN Under voltage relay, delayed restart
<b>System</b>	3 Phase 4 wire / 1 Phase system / (3 Phase 3 wire optional)	
<b>Burden on Supply</b>	< 3 VA	
<b>Nominal Voltage</b>	380 / 415 / 440VAC	
<b>Delay</b>	0.2 Sec. to 30 Sec.	5 to 15min (Restart time)
<b>Set Point</b>	± 25% of Nominal voltage for UV, OV	-25% of Nominal Voltage (Factory set)
<b>Relay Contacts</b>	1 Potential Free Contact, (NO, C & NC), (De-Energise on Fault)	
<b>Contact Rating</b>	6 Amps / 230 V AC / 28 V DC	
<b>Temperature</b>	<b>Operating:</b> -10° C to 55° C, <b>Storage:</b> -20° C to + 75° C	
<b>Humidity</b>	< 95% RH (non condensing)	
<b>Dimension</b>	78 x 17.5 x 97 mm (L x B x H)	
<b>Mounting</b>	Din (35 mm rail)	
<b>Weight</b>	75 gms	

For Dimension refer diagram F on page no. 19



<b>Volts</b>	RY (Phase - Phase)	<b>Power Factor :</b>	R Phase	Phasor Angle (Phase wise)	Export Apparent Energy
	YB (Phase - Phase)		Y Phase	Phase Angle (Phase wise)	Harmonics - Volts -Total (THDV) -Phase wise
	BR (Phase - Phase)		B Phase	Import Maximum Demand	Harmonics - Amps -Total (THDI) -Phase wise
	Average (Phase - Phase)		System	Import Peak Maximum Demand	Harmonics - Volts - Individual (upto 31 <sup>st</sup> ) (on RS485)
	RN (Phase - Neutral)	<b>Active Power</b>	R Phase	Export Maximum Demand	Harmonics - Amps - Individual (upto 31 <sup>st</sup> ) (on Rs485)
	YN (Phase - Neutral)	<b>(KW)</b>	Y Phase	Export Peak Maximum Demand	Load Hour Timer - Import
	BN (Phase - Neutral)		B Phase	Import Active Energy	Load Hour Timer - Export
	Average (Phase - Neutral)		Total	Import Reactive - Inductive Energy	ON Hour Timer (for which the meter is on with / without load)
<b>Amps</b>	R Phase	<b>Reactive Power :</b>	R Phase	Import Reactive - Capacitive Energy	Input : 3 Phase 4 Wire / 1 Phase 2 Wire
	Y Phase	<b>(KVAr)</b>	Y Phase	Import Apparent Energy	Accuracy : Class 1 for energy, Class 0.5 for all other parameters
	B Phase		B Phase	Export Active Energy	Display : 4 Line x 4 Digit, 0.39"
	Average		Total	Export Reactive -Inductive Energy	Dimensions : 455 (L) X 360 (W) X 150 (D) mm
<b>Frequency :</b>	System	<b>Apparent Power :</b>	Y Phase	Export Reactive - Capacitive Energy	
			Total		
		<b>(KVA)</b>	B Phase		

VIPS-96 / VIPS-97 / VIPS-93

AC / DC VOLTAGE TRANSDUCER



AC/DC VOLTAGE TRANSDUCER



CURRENT TRANSDUCER



SIGNAL ISOLATOR / CONVERTOR

Description	AC/DC VOLTAGE TRANSDUCER	CURRENT TRANSDUCER	SIGNAL ISOLATOR / CONVERTOR	
<b>Model</b>	VIPS-96	VIPS-97	VIPS-93	<b>VIPS-96 Input Range</b>
<b>Aux. Supply</b>	230V /110VAC 50Hz (-20% +15%)			AC V : 0 - 63.5 / 110 / 230 300 / 440 / 500 V AC DC V : 0 - 1000VDC
<b>Burden on Aux.</b>	< 3 VA			
<b>Temperature</b>	-20° C to +55° C			
<b>Humidity</b>	< 95% RH (non condensing)			<b>VIPS-97 Input Range</b>
<b>Accuracy</b>	Class 1			ACA : 0 - 1A, 5A (Direct) CTR / 1A CTR / 5A
<b>Response Time</b>	0.5 Sec.			
<b>Over Load Cap.</b>	1.2 x rated Voltage continuous, 1.5 x rated Voltage for 10 Sec.	2 x rated Current continuous, 10 x rated Current for 10 Sec.	1.2 x rated Voltage continuous, 1.5 x rated Voltage for 10 Sec.	
<b>Isolation</b>	2 KV (4 KV on request)			<b>VIPS-93 Input Range</b>
<b>Dimension</b>	78x55x97mm (LxBxH)			DC mV : 0 - 100 mV DC V : 0 - 1 / 5 / 10V DC mA : 0 - 1 / 10 / 16 / 20 mA 4 - 20 mA 2 - 10 mA
<b>Mounting</b>	Din (35 mm rail) / 2 x m4 screw			
<b>Weight</b>	400 gms			
<b>Output Range</b>	<b>DC V</b>	0 - 1V (Burden : 1K Ω) 0 - 5 / 1 - 5 V (Burden : 5K Ω) 0 - 10 / 2 - 10 V (Burden : 10K Ω)	<b>DC mA</b>	0 - 1mA (Burden : 10K Ω) 0 - 5 mA (Burden : 2K Ω) 0 - 10 / 2 - 10 mA (Burden : 1K Ω) 0 - 20 / 4 - 20 mA (Burden : 500Ω)

**Common Features:**

- Apertures accepting a wide range of busbar size.
- Easy Busbar Mounting.
- CT's are ultrasonically welded and are unbreakable.
- Terminals are finger touch proof for safety
- Highly Cost effective.
- Compact in size.

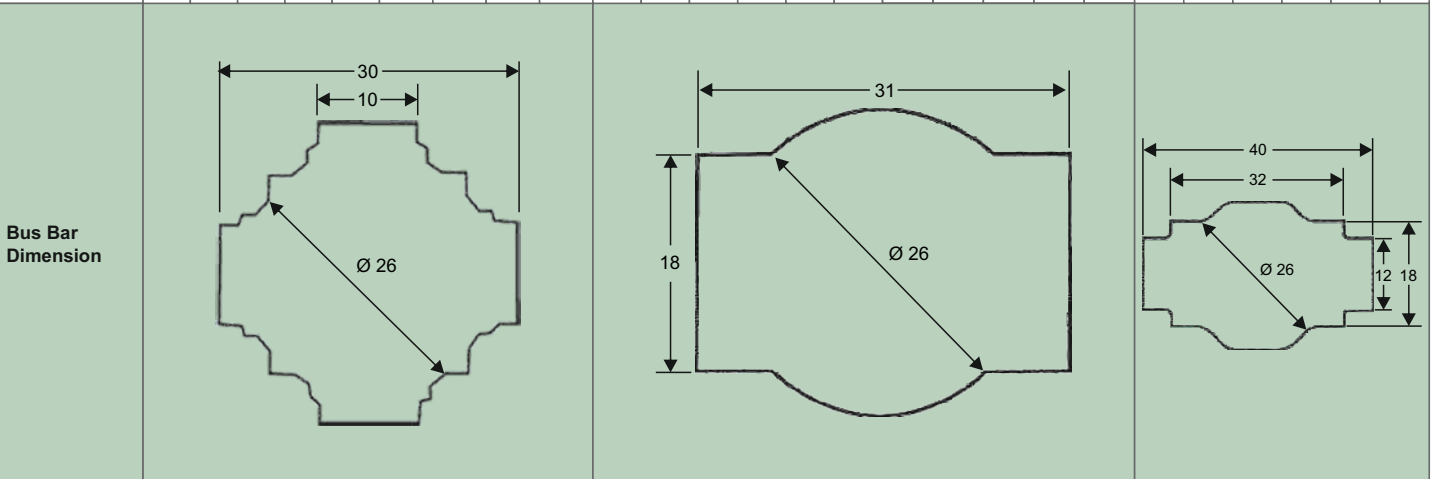
**Specification:**

<b>System Voltage</b>	720 V maximum	<b>Saturation coefficient</b>	< 5
<b>Test Voltage</b>	3kV for 1minute	<b>Insulation Class</b>	Class E
<b>System Frequency</b>	50 Hz or 60 Hz	<b>Secondary terminals</b>	M5 Screw clamps
<b>Primary ratings</b>	From 200A to 3000A	<b>Operating Temperature</b>	-20° C to +70° C
<b>Secondary outputs</b>	5A is standard; 1A on request	<b>Humidity</b>	< 95% RH (non condensing)
<b>Short circuit thermal Current (Ith)</b>	60 x Rated primary current for 1 sec	<b>Enclosure</b>	Flame retardant glass filled ABS
<b>Over load withstand</b>	1.2 times rated current continuously	<b>Compliance with</b>	VE 404 and IEC185 / IEC61869
<b>Rated dynamic Current</b>	2.55 x Ith	<b>Mounting hardware</b>	Feet and Busbar screws



Outer Dimension :  
61 (W) x 78.5 (H) x 30 (D)

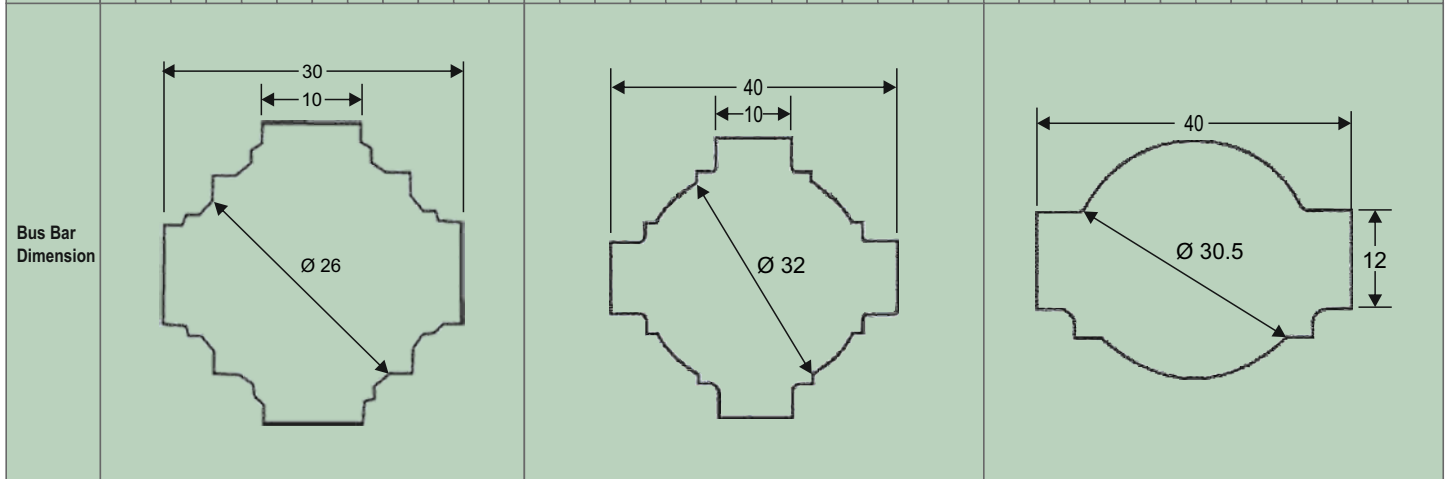
Models	VIPS 30102630								VIPS 30182630								VIPS 40122630					
Accuracy	Class 1				Class 0.5				Class 1				Class 0.5				Class 1					
Ratio (A)	Burden (VA)				Burden (VA)				Burden (VA)				Burden (VA)				Burden (VA)					
50/5 A	1																					
75/5	1	1.5							1	1.5												
80/5		1.5	2.5							1.5	2.5											
100/5		1.5	2.5			1.5	2.5			1.5	2.5			1.5	2.5		1	1.5				
150/5		1.5	2.5			1.5	2.5			1.5	2.5			1.5	2.5			1.5	2.5			
200/5		1.5	2.5	5		1.5	2.5	5			2.5	5			2.5	5		1.5	2.5			
250/5		1.5	2.5	5	10		1.5	2.5	5	10			2.5	5	10			2.5	5	10		
300/5		1.5	2.5	5	10		1.5	2.5	5				2.5	5	10			2.5	5	10		
400/5		1.5	2.5	5	10			2.5	5	10			2.5	5	10			2.5	5	10		
500/5			2.5	5	10			2.5	5	10			2.5	5	10			2.5	5	10		
600/5		1.5	2.5	5	10			2.5	5	10			2.5	5	10	15		1.5	2.5	5	10	
750/5			2.5	5	10			2.5	5	10			2.5	5	10	15			2.5	5	10	15
800/5																						





Outer Dimension :  
71 (W) x 88.5 (H) x 40 (D)

Models	VIPS 20102040				VIPS 40103240				VIPS 40123040									
	Class 1		Class 0.5		Class 1		Class 0.5		Class 1		Class 0.5							
Ratio (A)	Burden (VA)		Burden (VA)		Burden (VA)		Burden (VA)		Burden (VA)		Burden (VA)							
30/5	1																	
40/5	1.5																	
50/5	1.5	2.5		1.5	1.25	1.5			1.25	1.5								
60/5	1.5	2.5	5	1.5	1.25	1.5			1.25	1.5								
75/5		2.5	5	2.5	1.5	2.5			1.5	2.5								
80/5		2.5	5	2.5	1.5	2.5			1.5	2.5								
100/5		2.5	5	10	2.5	5	1.5	2.5	3.75	1.5	2.5	1.5						
125/5		2.5	5	10	2.5	5	1.5	2.5	5									
150/5		5	10	2.5	5	2.5	5	10	1.5	2.5	5	1.5	2.5					
200/5		5	10	15	2.5	5	2.5	5	10	1.5	2.5	5	2.5					
250/5		5	10	15	5	10	2.5	5	10	1.5	2.5	5	1.5	2.5	5			
300/5							2.5	5	10	15	2.5	5	10	15	2.5	5		
400/5							2.5	5	10	15	2.5	5	10	15	2.5	5	10	
500/5		2.5	5	10	15	2.5	5	10	15	2.5	5	10	15	2.5	5	10	15	
600/5		2.5	5	10	15	2.5	5	10	15	2.5	5	10	15	2.5	5	10	15	
750/5		5	10	15	5	10	15	30	5	10	15	5	10	15	30	5	10	15
800/5		5	10	15	30	5	10	5	10	15	30	5	10	5	10	15	30	
1000/5		5	10	15	30	5	10	15	30	5	10	15						





**Common Features:**

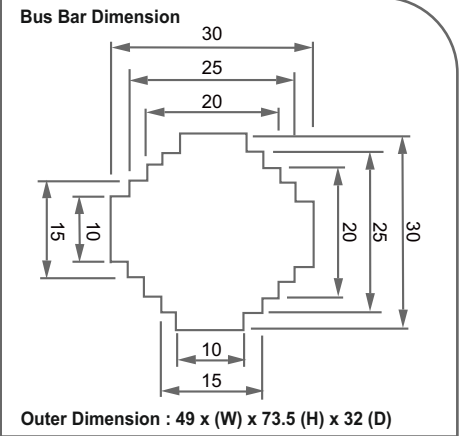
- Apertures accepting a wide range of busbar size.
- Easy Busbar Mounting.
- CT's are ultrasonically welded and are unbreakable.
- Terminals are finger touch proof for safety
- Highly Cost effective.
- Compact in size.

**Specification:**

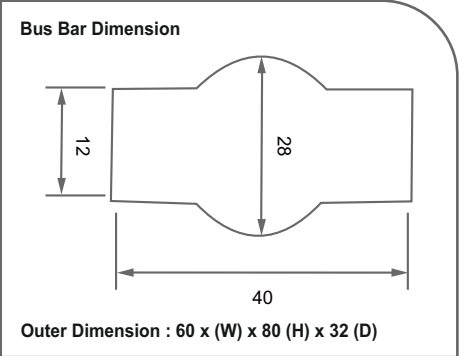
<b>System Voltage</b>	720 V maximum	<b>Saturation coefficient</b>	< 5
<b>Test Voltage</b>	3kV for 1minute	<b>Insulation Class</b>	Class E
<b>System Frequency</b>	50 Hz or 60 Hz	<b>Secondary terminals</b>	M5 Screw clamps
<b>Primary ratings</b>	From 50A to 4000A	<b>Operating Temperature</b>	-20° C to +70° C
<b>Secondary outputs</b>	5A is standard; 1A on request	<b>Humidity</b>	< 95% RH (non condensing)
<b>Short circuit thermal Current (Ith)</b>	60 x Rated primary current for 1 sec	<b>Enclosure</b>	Flame retardant glass filled ABS
<b>Over load withstand</b>	1.2 times rated current continuously	<b>Compliance with</b>	VE 404 and IEC185 / IEC61869
<b>Rated dynamic Current</b>	2.55 x Ith	<b>Mounting hardware</b>	Feet and Busbar screws



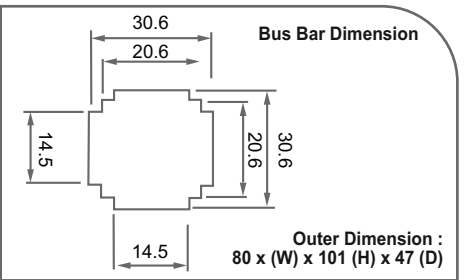
MODEL	RATIO	CLASS	1 VA	2.5 VA	5 VA
301-60/5A	60/5A	CLASS	3	-	-
301-75/5A	75/5A	CLASS	3	-	-
301-80/5A	80/5A	CLASS	3	-	-
301-100/5A	100/5A	CLASS	1	-	-
301-125/5A	125/5A	CLASS	1	-	-
301-150/5A	150/5A	CLASS	1	3	-
301-200/5A	200/5A	CLASS	-	1	-
301-250/5A	250/5A	CLASS	-	1	-
301-300/5A	300/5A	CLASS	-	1	3
301-400/5A	400/5A	CLASS	-	-	1
301-500/5A	500/5A	CLASS	-	-	1
301-600/5A	600/5A	CLASS	-	-	1



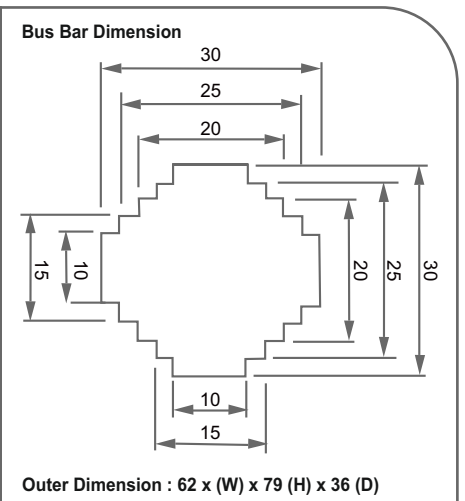
MODEL	RATIO	CLASS	2.5 VA	5 VA	7.5 VA
401-150/5A	150/5A	CLASS	3	-	-
401-200/5A	200/5A	CLASS	1	-	-
401-250/5A	250/5A	CLASS	1	-	-
401-300/5A	300/5A	CLASS	1	3	-
401-400/5A	400/5A	CLASS	-	1	3
401-500/5A	500/5A	CLASS	-	0.5	1
401-600/5A	600/5A	CLASS	-	0.5	1
401-750/5A	750/5A	CLASS	-	0.5	1
401-800/5A	800/5A	CLASS	-	0.5	1



MODEL	RATIO	CLASS	10 VA
501-125/5A	125/5A	CLASS	0.5
501-150/5A	150/5A	CLASS	0.5
501-200/5A	200/5A	CLASS	0.5
501-250/5A	250/5A	CLASS	0.5
501-300/5A	300/5A	CLASS	0.5
501-400/5A	400/5A	CLASS	0.5

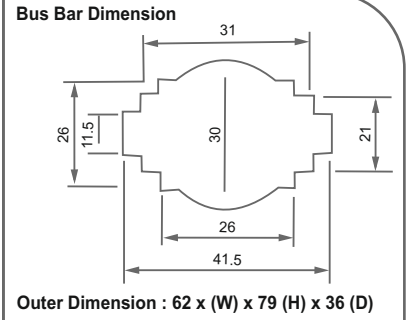


MODEL	RATIO	CLASS	1.25 VA	2.5 VA	5 VA	10 VA
3301-50/5A	50/5A	CLASS	3	-	-	-
3301-60/5A	60/5A	CLASS	1	-	-	-
3301-75/5A	75/5A	CLASS	1	-	-	-
3301-80/5A	80/5A	CLASS	1	-	-	-
3301-100/5A	100/5A	CLASS	-	-	1	-
3301-125/5A	125/5A	CLASS	-	-	1	-
3301-150/5A	150/5A	CLASS	-	-	1	-
3301-200/5A	200/5A	CLASS	-	-	1	-
3301-250/5A	250/5A	CLASS	-	-	-	1
3301-300/5A	300/5A	CLASS	-	-	-	1
3301-400/5A	400/5A	CLASS	-	-	-	1
3301-500/5A	500/5A	CLASS	-	-	-	1
3301-600/5A	600/5A	CLASS	-	-	-	1
3301-750/5A	750/5A	CLASS	-	-	-	1

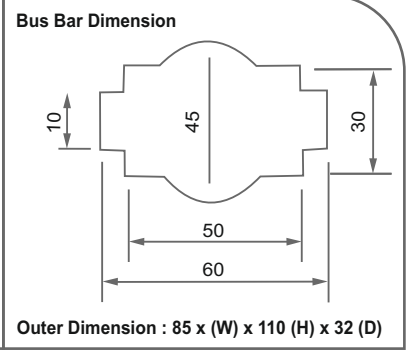




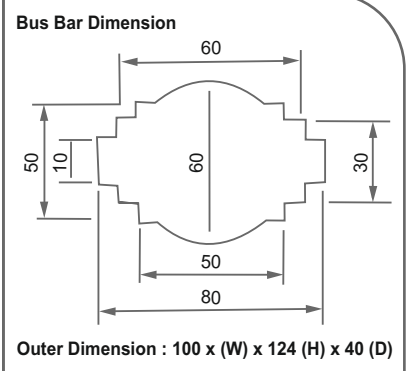
MODEL	Class 1	
	Burden (VA)	
4401-150/5A	2.5	
4401-200/5A	2.5	
4401-250/5A	2.5	
4401-300/5A		5
4401-400/5A		5
4401-500/5A		5
4401-600/5A		5
4401-750/5A		5
4401-800/5A		5



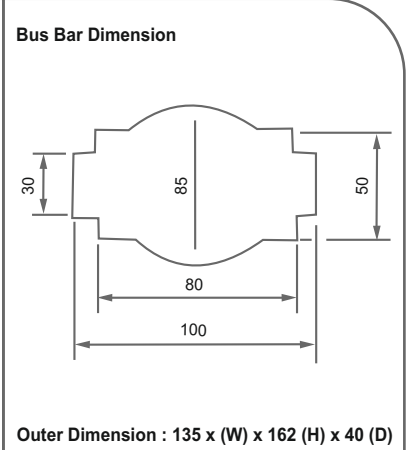
MODEL	Class 1		Class 0.5	
	Burden (VA)		Burden (VA)	
601-200/5A	2.5			
601-250/5A	2.5	5		
601-300/5A	2.5	5		
601-400/5A	2.5	5	10	
601-500/5A	5	7.5	15	10
601-600/5A	5	10	15	10
601-750/5A	5	10	15	10
601-800/5A	5	10	15	10
601-1000/5A	10	15	15	10
601-1200/5A	10	15	30	10
601-1250/5A	10	15	30	10
601-1500/5A	10	15	30	10
601-1600/5A	10	15	30	10



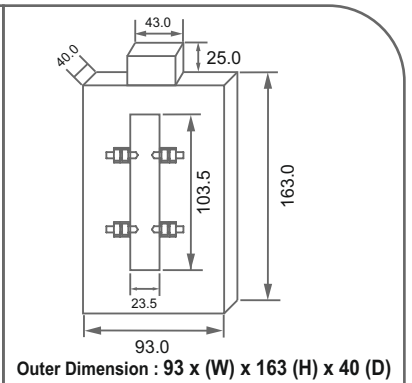
MODEL	Class 1		Class 0.5	
	Burden (VA)		Burden (VA)	
801-400/5A	2.5	5	5	
801-500/5A	2.5	5	7.5	5
801-600/5A	2.5	5	10	5
801-750/5A	2.5	5	10	10
801-800/5A	5	7.5	10	10
801-1000/5A	5	7.5	10	10
801-1200/5A	5	7.5	10	10
801-1250/5A	5	7.5	10	10
801-1500/5A	5	10	15	10
801-1600/5A	5	10	15	10
801-2000/5A	5	10	15	10



MODEL	Class 1		Class 0.5	
	Burden (VA)		Burden (VA)	
1001-400/5A	5			
1001-500/5A	5			
1001-600/5A	5	10	10	
1001-750/5A	5	10	10	
1001-800/5A	5	10	10	
1001-1000/5A	5	10	10	15
1001-1200/5A	5	10	15	10
1001-1250/5A	5	10	15	10
1001-1500/5A	5	10	15	10
1001-1600/5A	5	10	15	10
1001-2000/5A	5	10	15	10
1001-3000/5A	5	10	15	10
1001-4000/5A	5	10	15	10



MODEL	Class 1		Class 0.5	
	Burden (VA)		Burden (VA)	
1020-750/5A	10		10	
1020-800/5A	10		10	
1020-1000/5A	10		15	
1020-1200/5A	10		15	
1020-1250/5A	10		15	
1020-1500/5A	15		15	
1020-1600/5A	15		15	
1020-2000/5A	15		15	
1020-2500/5A	15		15	
1020-3000/5A	15		15	







Description	STAR DELTA TIMER	CYCLIC TIMER	FORWARD PAUSE REVERSE TIMER
<b>Model</b>	<b>VIPS-99 SD</b>	<b>VIPS-99C</b>	<b>VIPS-99 FPR</b>
<b>Features</b>	Consistent Reliability with High Accuracy Low Cost Run Up Time & Change Over Time User Settable LED Indication for Star & Delta relay Compact Size	Consistent Reliability with High Accuracy Low Cost Cyclic with Unequal ON & OFF Time Cyclic ON First / OFF First User Settable LED Indication for Power ON / Relay ON Compact Size	Consistent reliability with high accuracy Forward & Reverse relay Compact size
<b>Auxiliary Supply</b>	230VAC / 415 VAC, 50/60Hz & 24V AC/DC	230 VAC & 24 V AC / DC 110VAC & 240V AC / DC	
<b>Run Up Time</b>	0 - 30 / 60 Sec.	---	
<b>Change Over time</b>	50 / 100 msec.	---	
<b>Relay Contacts</b>	1 C/O Potential Free Contact (NO, C & NC) 2 C/O on request		
<b>Contact Rating</b>	5 Amps / 230VAC / 28VDC		
<b>ON / OFF Time Ranges</b>		1 / 10 Sec. / Min. / Hr.	
<b>ON Time Ranges</b>	---		1 / 2 / 4 / 8 Min.
<b>Pause Time Ranges</b>	---		10 / 20 / 40 / 80 Sec.
<b>Accuracy</b>	± 5% of full Scale		
<b>Repeatability</b>	Repeatability : ±0.5%		
<b>Reset Time</b>	<100m Sec. on power interruption		
<b>Temperature</b>	<b>Operating:</b> -10° C to 55° C, <b>Storage:</b> -20° C to + 75° C		
<b>Humidity</b>	< 95% RH (non condensing)		
<b>Dimension</b>	22.5 x 77 x 105 mm (W x L x H)		
<b>Mounting</b>	Din (35 mm rail) / 2 x m4 screw		
<b>Weight</b>	120 gms	130 gms	120 gms



**Features**

- Consistent Reliability with High Accuracy
- Low Cost
- Time Delay User Settable (4 Ranges)
- LED Indication for Power & Relay status
- Compact Size
- ON Delay / Interval Modes of Operations



**Features**

- Consistent Reliability with High Accuracy
- Low Cost
- Time Delay User Settable (4 Ranges)
- LED Indication for Power & Relay status
- Compact Size

Description	TIMER	MULTIFUNCTION TIMER
<b>Model</b>	<b>VIPS-99</b>	<b>VIPS-99 MF</b>
<b>Auxiliary Supply</b>	230VAC 50/60 Hz & 24V AC/DC, 110VAC 50/60Hz & 24V AC/DC	
<b>Relay Contacts</b>	1 C/O Potential Free Contact (NO, C & NC) 2 C/O on request	
<b>Contact Rating</b>	5 Amps / 230 V AC / 28 V DC	
<b>Time Ranges</b>	0 - 15 / 60 Sec. / 7.5 / 60 min.	0 - 1 / 3 / 10 / 30 Sec. / min. / Hr.
<b>Accuracy</b>	± 5% of full Scale	
<b>Repeatability</b>	Repeatability : ±0.5%	
<b>Reset Time</b>	<100m Sec. on power interruption	
<b>Temperature</b>	<b>Operating:</b> -10° C to 55° C, <b>Storage:</b> -20° C to + 75° C	
<b>Humidity</b>	< 95% RH (non condensing)	
<b>Dimension</b>	17.5 x 91 x 64 mm (W x L x H)	22.5 x 77 x 105 mm (W x L x H)
<b>Mounting</b>	Din (35 mm rail)	Din (35 mm rail) / 2 x m4 screw
<b>Weight</b>	65 gms	120 gms

SPLIT CORE CT



**MODEL-VIPS SC01**  
 Primary : 100A to 400  
 Secondary : 5A / 1A  
 Bus Bar Dimension : 21 (H) x 31 (W)



**MODEL-VIPS SC02**  
 Primary : 250A to 1000  
 Secondary : 5A / 1A  
 Bus Bar  
 Dimension : 50 (H) x 80 (W)



**MODEL-VIPS SC03**  
 Primary : 500A to 1500  
 Secondary : 5A / 1A  
 Bus Bar  
 Dimension : 80 (H) x 120 (W)



**MODEL-VIPS SC04**  
 Primary : 1000A to 4000  
 Secondary : 5A / 1A  
 Bus Bar  
 Dimension : 80 (H) x 160 (W)

CUSTOMISED PANEL - For easy installation



VIPS-CP-87



VIPS-CP-86



VIPS-CP-88



VIPS-CP-89

ALARM ANNUNCIATOR



VIPS-109-4W  
 4 CHANNEL ALARM ANNUNCIATOR



VIPS-109-6W  
 6 CHANNEL ALARM ANNUNCIATOR



VIPS-109-8W  
 8 CHANNEL ALARM ANNUNCIATOR

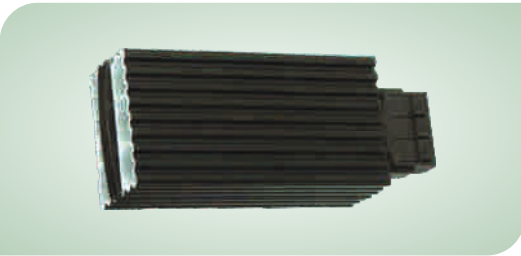


Features

VIPS-TH NO / NC THERMOSTAT	VIPS-DTH DUAL THERMOSTAT	VIPS-HG HYGROSTAT
Large Setting Range, Small Size, Simple to Mount, Thermostatic Bimetal Sensor, Sharp Action Contact, Low Contact Resistance		
Available in NO / NC types	Dual NO & NC contact available	Available in 1 C/O (NO, C, NC contact)
Range : 0° C to 60° C		Range : 40 to 90% RH
Contact : 10A / 250 VAC, 15A / 120 VAC	Contact : 10A / 250 VAC, 15A / 120 VAC	Contact : 10A / 250 VAC, 15A / 120 VAC
Dimension : 60 x 33 x 43 (L x W x D mm)	Dimension : 66 x 50 x 45 (L x W x D mm)	Dimension : 66 x 50 x 38 (L x W x D mm)

VIPS SPR-Watts

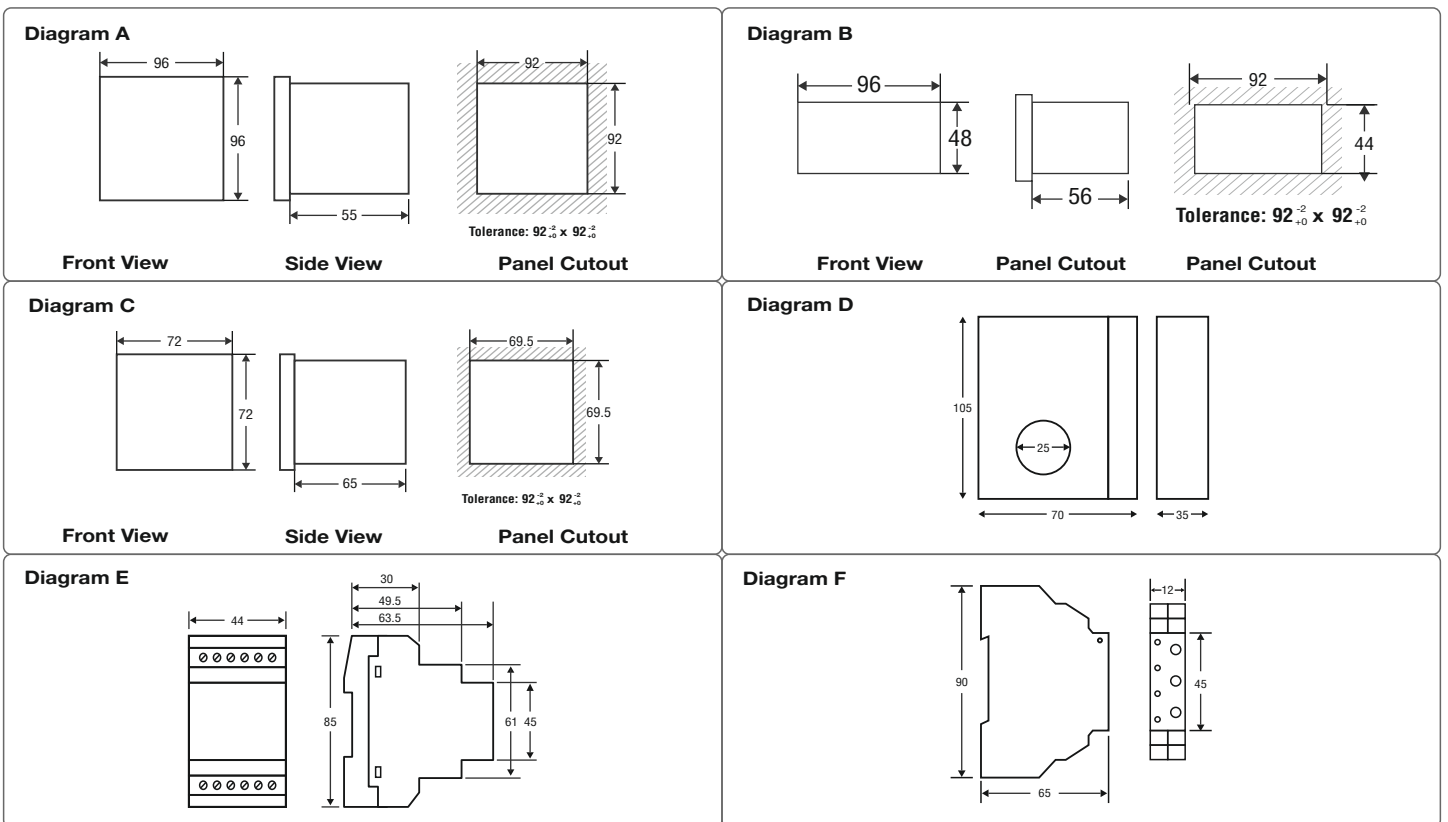
SPACE PANEL HEATER



Features

Pressure clamp connectors	Extruded Aluminium Profile, Anodised
Dynamic Heating up	PTC Resistor, Self Regulating & Temperature limiting
Temperature limiting	Clip Fixing
Wide Voltage Range	Quick Installation
Energy Saving	Available in 25, 30, 45, 60, & 75 watts

DIMENSIONS



# Applications



◀ Multifunction Meters

◀ Digital Panel Meters

◀ Current Transformers

◀ Protection Relays

◀ Timers

◀ Transducer

◀ Energy Audit System

## VERITEK ENGINEERING PVT. LTD.

### Address:

Plot No. 222, EL-Electronic Zone, MIDC, TTC Industrial Area,  
Mahape, Navi Mumbai - 400701, INDIA

Tel.: +91-22-2762 1125 / 6529 4268

Email: sales@veritekindia.com | Web: www.veritekindia.com

Authorised Agent:

