



**Features:**

- ▶ 1 Line 4 Digit ultra bright LED display
- ▶ Site Programmable PT ratio (Primary and Secondary)
- ▶ True RMS measurement
- ▶ Password protection
- ▶ Optional features
  - a) RS485 Computer Interface
  - b) 60A direct current (External CT module available)
- ▶ Harmonic measurement (Total & Individual) for voltage
- ▶ Auto ranging
- ▶ Universal Auxiliary supply



**Advantages:**

- ▶ Cost-effective
- ▶ Accurate reading
- ▶ Long life compared to Analog, as no moving parts
- ▶ Reduce panel space, wiring and installation time
- ▶ Precise onsite display

**Applications:**

- ▶ Industrial application and Automation
- ▶ Control Panel
- ▶ Equipment Monitoring
- ▶ Distribution Systems
- ▶ Test bench

**Measuring Parameters**

- ▶ Voltage (Phase), (Phase) average, (L-N), (L-N) average
- ▶ Total and Average Harmonic Distortion (Phase wise): Voltage
- ▶ System frequency

**Supply Voltage**

Auxiliary Supply      90-270V AC/DC (±15%)  
 Frequency              50/60 Hz

**Display**

Display                    1 row of 4 digits, 7 segment LED display  
 Digit Height              0.56" (14.3mm)  
 Display Scrolling        Automatic/Manual

**Parameters (Resettable)**

PT Ratio                    Up to 132kV

**Input Specifications**

Electrical Connection    3Ø-4 wire  
 Input Voltage Range      0-500V AC (L-L)  
 Input Current Range      0.015A-6AAC  
 Frequency                  45/65 Hz  
 Resolution                  Autoranging, Hz 0.01  
 Accuracy                    ▶ Voltage ±0.5% of F.S.  
                                   ▶ Frequency ±0.1% of F.S.  
 Burden                      Voltage: 0.2 VA max per input  
                                   Aux. Supply: 3 VA max.

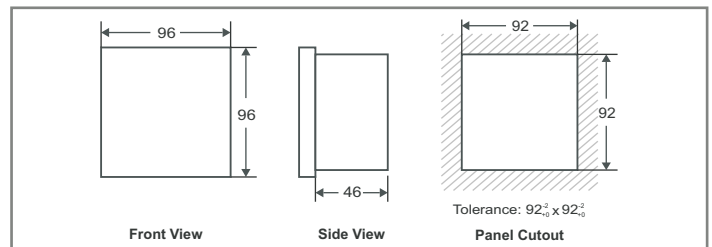
**Environmental Specifications**

Temperature                Operating : -10° to 55°C  
                                   Storage : -20° to 75°C  
 Humidity                    < 95% RH

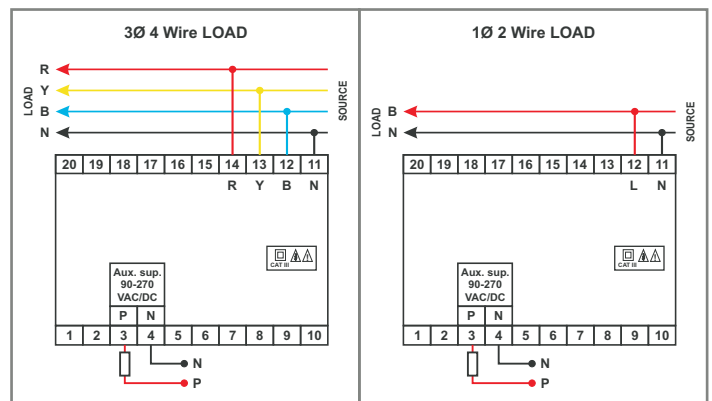
**Mechanical Specifications**

Mounting                    Flush Mounting with Side Clamps  
 Weight                      280 g  
 Enclosure Material        ABS Thermoplastic

**Dimension**



**Connection Diagram**



**Ordering Information**

Ordering Code	Description	Comm. RS485
VIPS 88	3Ø Voltmeter	
VIPS 88-C	3Ø Voltmeter with Modbus Communication RS485	✓