



**Features:**

- ▶ Leakage current display in percentage
- ▶ User programmable trip level and timer delay
- ▶ DIN Rail mounting
- ▶ CBCT open circuit detection
- ▶ CBCT available in various sizes
- ▶ Compliance with IEC 947-1



**Advantages:**

- ▶ DIN Rail mounted
- ▶ Protects human life
- ▶ Constant leakage current detection
- ▶ Fewer nuisance trips

**Applications:**

- ▶ Generator Control Panel
- ▶ Distribution Control Panel
- ▶ Protection Control Panel

**Input Specification**

Status Normally de-energised  
Reset Manual

**Output Specifications**

Relay Output Single pole change over  
24V DC 5A  
240V AC 5A  
Relay Contacts 1 potential free contact (NO, C & NC)  
Contact Rating 6A/230V AC/28V DC

**Functional Specifications**

Leakage Current Via CBCT  
(0.03, 0.10, 0.30, 0.50, 1.0, 3.0)  
any other on request  
Power ON Delay Approx. 1 sec  
Trip Time Delay 0.1 sec to 10 sec  
CBCT Sizes 35mm, 70mm, 120mm, 210mm and  
any other rectangular/round CBCT on  
request  
Voltage Rating 90-270V AC/DC  
Voltage Tolerance -25% to +10%  
Current CBCT Secondary  
Overload x2 continuously, x10 for 3 sec as per  
BS6253  
Burden 3VA max.

**Supply Specifications**

Supply Voltage 90-270 VAC/DC (±15%)  
Supply Frequency 50/60 Hz  
Power Consumption 3VA max.

**Environmental Specification**

Operating Temperature -10°C to 70°C  
Storage Temperature -20°C to 50°C  
Humidity < 95% RH

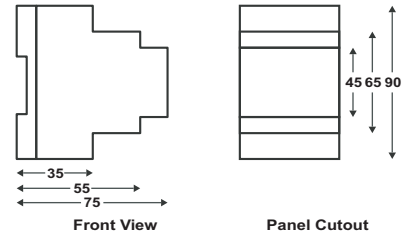
**Mechanical Specification**

Weight 228 g  
Dimensions 45x90x75mm (WxHxD)  
Mounting DIN Rail (35mm)  
Enclosure ABS Thermoplastic

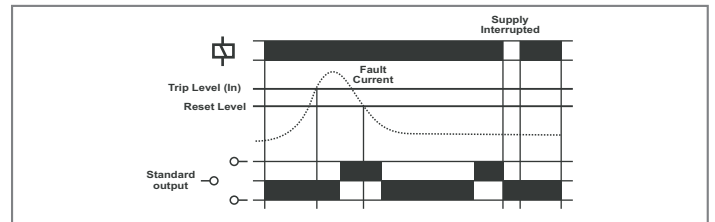
**User Settable Parameters**

Range Set 0.03, 0.10, 0.30, 0.50, 1.0 to 3.0A  
Delay Set 0.1 to 10 Sec

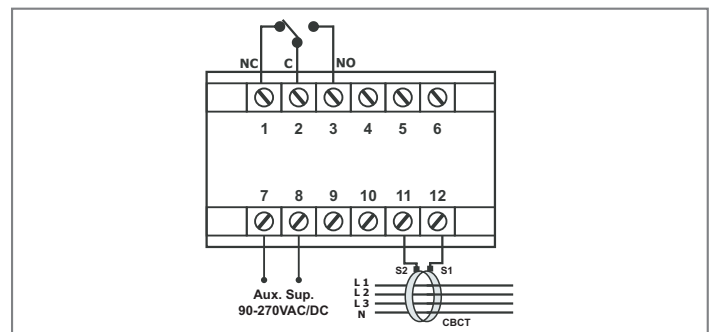
**Dimension**



**Functional Diagram**



**Connection Diagram**



**Ordering Information**

Ordering Code	Current Rating	Description
VIPS 98-300 mA	30-300 mA	Analog ELR of rating 30-300 mA
VIPS 98- 3 A	300 mA-3 A	Analog ELR of rating 30-300 mA
VIPS 98- 30 A	3 A- 30 A	Analog ELR of rating 3 A- 30 A