



**Features:**

- ▶ Current display in percentage
- ▶ User settable trip level and timer delay
- ▶ Panel mount
- ▶ CBCT open circuit detection
- ▶ CBCT available in various sizes
- ▶ Compliance with IEC 947-1



**Advantages:**

- ▶ Door mount
- ▶ Protects human life
- ▶ Constant leakage current detection
- ▶ Fewer nuisance trips

**Applications:**

- ▶ Generator Control Panel
- ▶ Distribution Control Panel
- ▶ Protection Control Panel

**Input Specification**

Status	Normally de-energised
Reset	Manual

**Output Specifications**

Trip Relay Output	80-90% of Range 1 SPDT switch NO (5A and 240V AC) NC (5A and 240V AC).
Alarm Relay Output (Optional)	50% of Range 1 SPDT switch NO (5A and 240V AC) NC (5A and 240V AC)
Relay Contacts	1 potential free contact (NO,C & NC)

**Functional Specifications**

Set Point	0.03, 0.10, 0.30, 0.50, 1.0, 3.0, 5.0, 10.0, 20.0 & 30.0 A
Power ON Delay	Approx. 1 sec
Trip time Delay	0.04 to 10 sec (range)
CBCT Sizes	35mm, 70mm, 120mm and 210 mm any other circular/rectangular size on request

**Supply Specifications**

Supply Voltage	90-270V AC/ DC (±15%)
Supply Frequency	50/60 Hz
Power Consumption	3VA max.

**Environmental Specification**

Operating Temperature	-10°C to 70°C
Storage Temperature	-20°C to 50°C
Humidity	Up to 95% RH

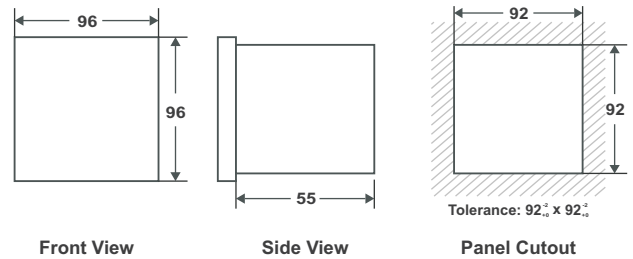
**Mechanical Specification**

Weight	228 g
Dimensions	96X96X48mm (WxHxD)
Mounting	Door Mount
Enclosure	ABS Thermoplastic

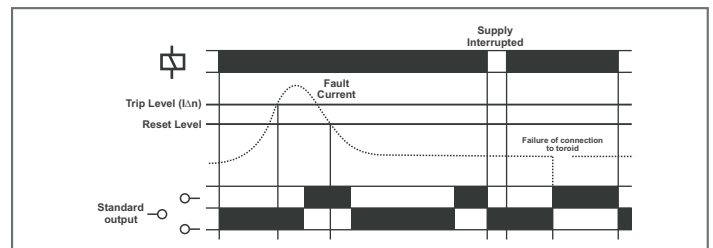
**User Settable Parameters**

Range Set	0.03, 0.10, 0.30, 0.50, 1.0, 3.0, 5.0, 10.0, 20.0 & 30.0 A
Delay Set	0.04, 0.06, 0.15, 0.25, 0.5, 0.8, 1, 2.5, 5, 10 Sec

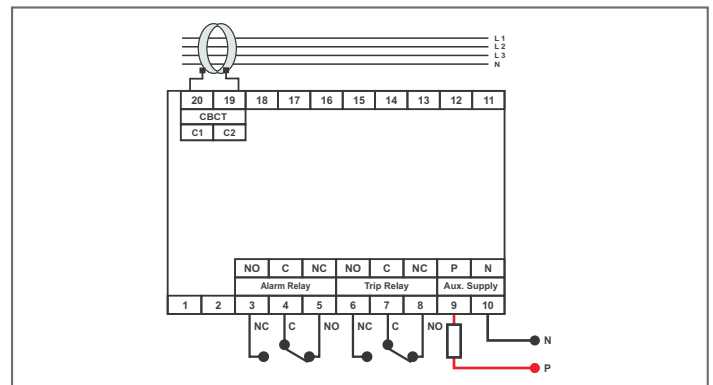
**Dimension**



**Functional Diagram**



**Connection Diagram**



**Ordering Information**

Ordering Code	Description
VIPS 98PF	Flush mounted digital ELR, current rating 30 mA- 30 A, SMPS based