

Features:

- ▶ 6 digit stepper motor counter
- ▶ CT ratio Site Programmable through DIP switch
- ▶ True RMS measurement
- ▶ Reverse indication for wrong wiring polarity
- ▶ Direct Reading No multiplication factor



Advantages:

- ▶ Energy Management System
- ▶ To caution on the Extra Energy Consumption
- ▶ CT Ratio Site Programmable reduces inventory

Applications:

- ▶ Energy Audit
- ▶ Control Panel
- ▶ Distribution System
- ▶ Generator Sets

Measuring Parameters

- ▶ kWh

Supply Voltage

Auxiliary Supply 90-270V AC/DC (±15%)
 Frequency 50-60 Hz

Display

Display 1 row of 6 digits (electro mechanical)
 Display Scrolling Automatic/Manual

Settable Parameters

C.T. primary up to 5000A (Programmable)
 C.T. Secondary 5A (Programmable)
 Display Reset Energy

Input Specifications

Electrical Connection 3Ø-4 wire/1Ø-2 wire
 Input Voltage Range 0-500V AC (L-L)
 Input Current Range 0.015 A-6 A AC/Direct 60 A (Optional)
 Frequency 50-60 Hz
 Resolution Energy 0.1 kWh
 Burden Voltage: 0.2 VA max. per input
 Current: 0.2 VA max. per input
 Aux. supply: 3 VA max.
 Accuracy Class 1

Environmental Specifications

Temperature Operating : -10° to 55°C
 Storage : -20° to 75°C
 Humidity < 95% RH

Mechanical Specifications

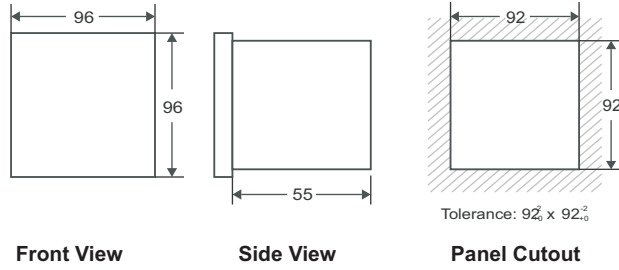
Mounting Flush Mounting with Side Clamps
 Weight 350 gms
 Enclosure Material ABS Thermoplastic

CT RATIO SELECTION CHART (DIP SWITCH)

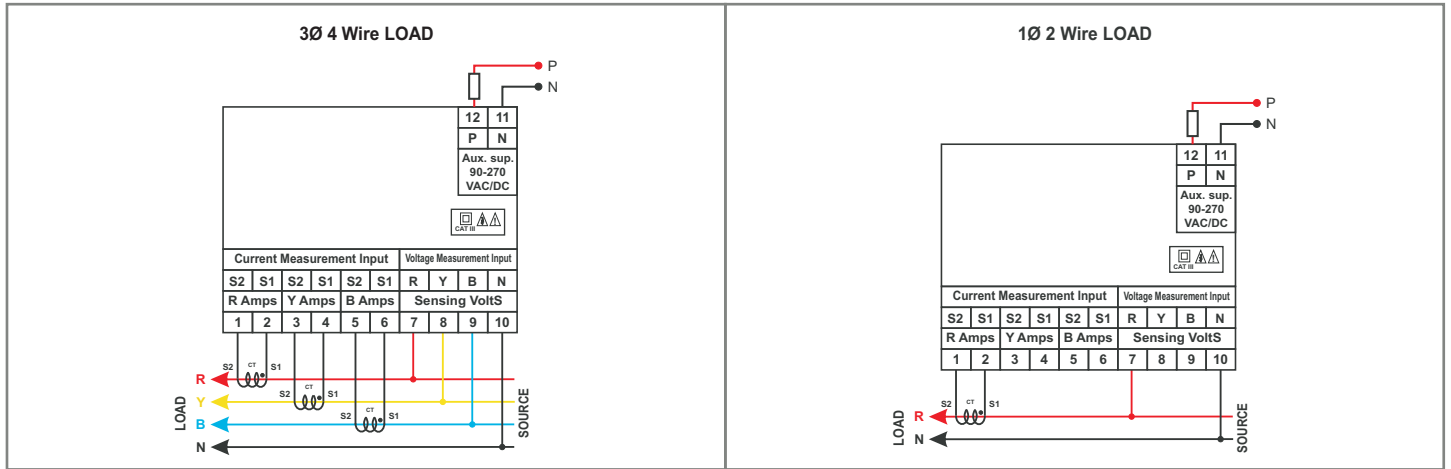
Switch 1	Switch 2	Switch 3	Switch 4	Switch 5	CT Ratio
ON	OFF	OFF	OFF	OFF	5 / 5 Amps
OFF	ON	OFF	OFF	OFF	10 / 5 Amps
ON	ON	OFF	OFF	OFF	15 / 5 Amps
OFF	OFF	ON	OFF	OFF	20 / 5 Amps
ON	OFF	ON	OFF	OFF	25 / 5 Amps
OFF	ON	ON	OFF	OFF	30 / 5 Amps
ON	ON	ON	OFF	OFF	40 / 5 Amps
OFF	OFF	OFF	ON	OFF	50 / 5 Amps
ON	OFF	OFF	ON	OFF	60 / 5 Amps
OFF	ON	OFF	ON	OFF	75 / 5 Amps
ON	ON	OFF	ON	OFF	80 / 5 Amps
OFF	OFF	ON	ON	OFF	100 / 5 Amps
ON	OFF	ON	ON	OFF	125 / 5 Amps
OFF	ON	ON	ON	OFF	150 / 5 Amps
ON	ON	ON	ON	OFF	200 / 5 Amps
OFF	OFF	OFF	OFF	ON	250 / 5 Amps
ON	OFF	OFF	OFF	ON	300 / 5 Amps
OFF	ON	OFF	OFF	ON	400 / 5 Amps
ON	ON	OFF	OFF	ON	500 / 5 Amps
OFF	OFF	ON	OFF	ON	600 / 5 Amps
ON	OFF	ON	OFF	ON	625 / 5 Amps
OFF	ON	ON	OFF	ON	750 / 5 Amps
ON	ON	ON	OFF	ON	800 / 5 Amps
OFF	OFF	OFF	ON	ON	1000 / 5 Amps
ON	OFF	OFF	ON	ON	1200 / 5 Amps
OFF	ON	OFF	ON	ON	1250 / 5 Amps
ON	ON	OFF	ON	ON	1500 / 5 Amps
OFF	OFF	ON	ON	ON	1600 / 5 Amps
ON	OFF	ON	ON	ON	2000 / 5 Amps
OFF	ON	ON	ON	ON	2500 / 5 Amps
ON	ON	ON	ON	ON	3000 / 5 Amps



Dimension



Connection Diagram



Ordering Information

Ordering Code	Description
VIPS 84C	0-5A CT programmable