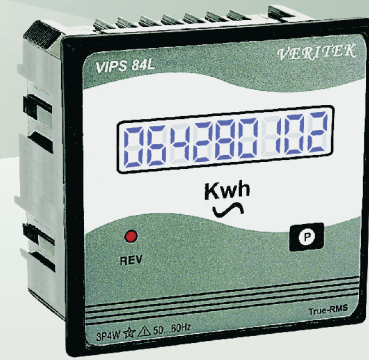




**Features:**

- ▶ LCD display with backlight
- ▶ Site Programmable CT ratio
- ▶ True RMS measurement
- ▶ Resolution 0.1 kWh
- ▶ Reverse indication for wrong wiring polarity
- ▶ EEprom retains Energy Parameters on power fail
- ▶ Universal Auxiliary supply



**Advantages:**

- ▶ Energy Management System
- ▶ To caution on the Extra Energy Consumption
- ▶ CT Ratio Site Programmable reduces inventory

**Applications:**

- ▶ Distribution System
- ▶ Generator Sets

**Measuring Parameters**

- ▶ kWh

**Supply Voltage**

Auxiliary Supply 90-270V AC/DC (±15%)  
 Frequency 50-60 Hz

**Display**

Display 1 row, 9 Digit LCD display  
 Display Scrolling Automatic/Manual

**Settable Parameters**

C.T. primary Up to 5000A (Programmable)  
 C.T. Secondary 5A (Programmable)  
 Display Reset Energy

**Input Specifications**

Electrical Connection 3Ø-4 wire/1Ø-2 wire  
 Input Voltage Range 0-500V AC (L-L)  
 Input Current Range 0.015 A-6A AC/Direct 60A (Optional)  
 Frequency 45-65 Hz  
 Resolution Energy 0.1 kWh  
 Burden Voltage: 0.2 VA max. per input  
 Current: 0.2 VA max. per input  
 Aux. supply: 3 VA max.  
 Accuracy Class 1

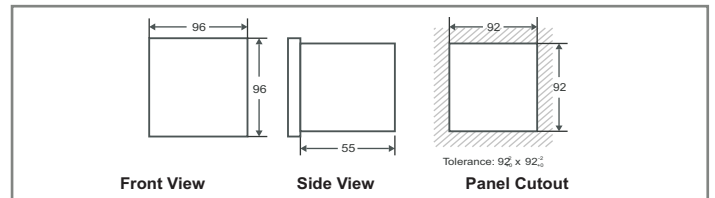
**Environmental Specifications**

Temperature Operating : -10° to 55°C  
 Storage : -20° to 75°C  
 Humidity < 95% RH

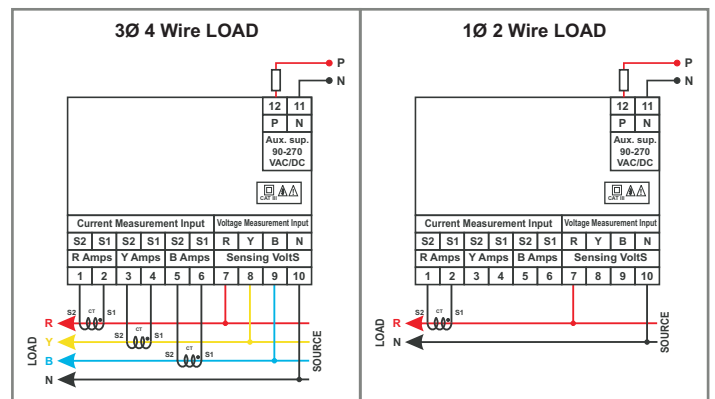
**Mechanical Specifications**

Mounting Flush Mounting with Side Clamps  
 Weight 300 g  
 Enclosure Material ABS Thermoplastic

**Dimension**



**Connection Diagram**



**Ordering Information**

Ordering Code	Current Rating
VIPS 84L	0-5A, CT programmable
VIPS 84L-60A-3P-N	0-60A, external CT for 3 phase (N)

Accessories		
Description	Code	Photo
for external CT of 60A programmed for three phase	60A-3P	

Accessories	
The above module to be supplied with 1 meter long Leads	N