



Features:

- ▶ ABS plastic moulding
- ▶ Apertures accepting a wide range of bus bar
- ▶ CTs are ultrasonically welded and unbreakable



Advantages:

- ▶ Easy bus bar mounting
- ▶ Highly cost effective
- ▶ Compact in size

Applications:

- ▶ Switchgear
- ▶ Distribution system
- ▶ Generator sets
- ▶ Control Panels
- ▶ Control Devices
- ▶ Overload protection

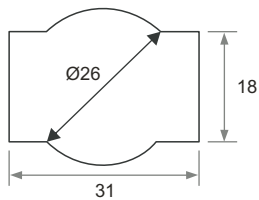
Input Specifications

Rated Primary Current 100A to 800A
 Rated Secondary Output 5A

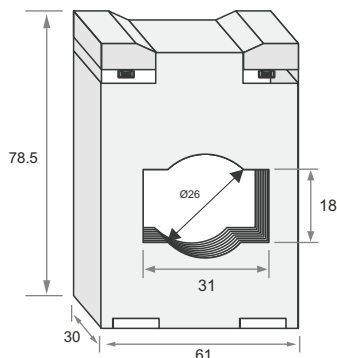
Technical Specifications

Rated Burden 1 VA , 1.5 VA ,2.5VA, 5 VA , 10 VA and 15 VA
 Class of accuracy 1, 0.5, 0.2s
 Over load withstand 1.2 times rated current for 1 sec
 Rated Dynamic Current 2.55x Ith
 Short Circuit Thermal Current Ith 60xIn (rated primary current for 1 sec)
 Insulation Class Class E
 Max operating Voltage 720 V maximum
 Insulation test voltage 3KV AC for 1 minute
 Compliance Standard VE404 and IEC185

Dimensions



Bus Bar Dimension (mm) : 31 x 18, Ø 26



Outer Dimension : 61 x (W) x 78.5 (H) x 30 (D)

Environmental Specification

Operating Temperature 20°C to 70°C
 Storage Temperature 0°to 55°C
 Humidity <95% RH (non-condensing)

Ordering Information

Primary Current	Class 1		Class 0.5	
	Burden (VA)	Ordering Code	Burden (VA)	Ordering Code
60	1	30182630.01		
	1.5	30182630.02		
75	1.5	30182630.03		
	2.5	30182630.04		
80	1.5	30182630.05		
	2.5	30182630.06		
100	1.5	30182630.06	1.5	30182630.32
	2.5	30182630.07	2.5	30182630.33
150	1.5	30182630.08	1.5	30182630.34
	2.5	30182630.09	2.5	30182630.35
200	2.5	30182630.10	2.5	30182630.36
	5	30182630.11	5	30182630.37
250	2.5	30182630.12	2.5	30182630.38
	5	30182630.13	5	30182630.39
	10	30182630.14	10	30182630.40
300	2.5	30182630.15	2.5	30182630.41
	5	30182630.16	5	30182630.42
	10	30182630.17	10	30182630.43
400	2.5	30182630.18	2.5	30182630.44
	5	30182630.19	5	30182630.45
	10	30182630.20	10	30182630.46
500	2.5	30182630.21	2.5	30182630.47
	5	30182630.22	5	30182630.48
	10	30182630.23	10	30182630.49
600	2.5	30182630.24	2.5	30182630.50
	5	30182630.25	5	30182630.51
	10	30182630.26	10	30182630.52
750	15	30182630.27	15	30182630.53
	2.5	30182630.28	2.5	30182630.54
	5	30182630.29	5	30182630.55
750	10	30182630.30	10	30182630.56
	15	30182630.31	15	30182630.57