



Features:

- ▶ ABS plastic moulding
- ▶ Apertures accepting a wide range of bus bar
- ▶ CTs are ultrasonically welded and unbreakable



Advantages:

- ▶ Easy bus bar mounting
- ▶ Highly cost effective
- ▶ Compact in size

Applications:

- ▶ Switchgear
- ▶ Distribution system
- ▶ Generator sets
- ▶ Control Panels
- ▶ Control Devices
- ▶ Overload protection

Input Specifications

Rated Primary Current 50A to 1000A
 Rated Secondary Output 5A

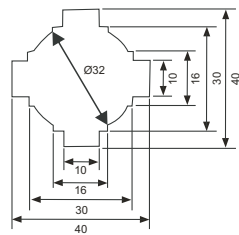
Technical Specifications

Rated Burden 1.25, 1.5 VA , 2.5 VA,3.75, 5 VA, 10 VA, 15VA and 30 VA
 Class of Accuracy 1 0.5 and 0.2s
 Over Load Withstand 1.2 times rated current for 1 sec
 Rated Dynamic Current 2.55x Ith
 Short Circuit Thermal Current Ith 60xIn (rated primary current for 1 sec)
 Insulation Class Class E
 Max operating voltage 720 V maximum
 Insulation test voltage 3KV AC for 1 minute
 Compliance Standard VE404 and IEC185

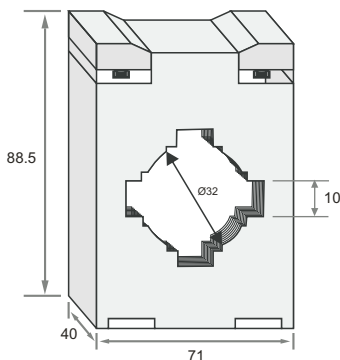
Environmental Specification

Operating Temperature -20C to 70C
 Storage Temperature 0 to 55C
 Humidity <95% RH (non-condensing)

Dimensions



Bus Bar Dimension : 40 x 10, Ø32



Outer Dimension : 71 x (W) x 88.5 (H) x 40 (D)

Ordering Information

Primary Current	Class 1		Class 0.5	
	Burden (VA)	Ordering Code	Burden (VA)	Ordering Code
50	1.25	40103240.01		
	1.5	40103240.02		
60	1.25	40103240.03		
	1.5	40103240.04		
75	1.5	40103240.05		
	2.5	40103240.06		
80	1.5	40103240.07		
	2.5	40103240.08		
100	1.5	40103240.09	1.5	40103240.48
	2.5	40103240.10	2.5	40103240.49
	3.75	40103240.11		
150	1.5	40103240.12	1.5	40103240.50
	2.5	40103240.13	2.5	40103240.51
	5	40103240.14	5	40103240.52
200			1.5	40103240.53
	2.5	40103240.15	2.5	40103240.54
	5	40103240.16	5	40103240.55
	10	40103240.17		
250			1.5	40103240.56
	2.5	40103240.18	2.5	40103240.57
	5	40103240.19	5	40103240.58
	10	40103240.20		
300	2.5	40103240.21	2.5	40103240.59
	5	40103240.22	5	40103240.60
	10	40103240.23	10	40103240.61
	15	40103240.24		
400	2.5	40103240.25	2.5	40103240.62
	5	40103240.26	5	40103240.63
	10	40103240.27	10	40103240.64
	15	40103240.28		
500	2.5	40103240.29	2.5	40103240.65
	5	40103240.30	5	40103240.66
	10	40103240.31	10	40103240.67
	15	40103240.32	15	40103240.68
600	2.5	40103240.33	2.5	40103240.69
	5	40103240.34	5	40103240.70
	10	40103240.35	10	40103240.71
	15	40103240.36	15	40103240.72
750	5	40103240.37	5	40103240.73
	10	40103240.38	10	40103240.74
	15	40103240.39	15	40103240.75
	5	40103240.40	5	40103240.76
800	10	40103240.41	10	40103240.77
	15	40103240.42		
	30	40103240.43		
1000	5	40103240.44	5	40103240.78
	10	40103240.45	10	40103240.79
	15	40103240.46	15	40103240.80
	30	40103240.47		