



Features:

- ▶ 7 Segment LED display
- ▶ Site Programmable CT ratio
- ▶ True RMS measurement
- ▶ Password protection
- ▶ Bar graph indication of load current



Advantages:

- ▶ Protection of power assets
- ▶ Detection and isolation of faults
- ▶ Speedy tripping to avoid damage
- ▶ Maintain supply continuity of healthy circuit

Applications:

- ▶ Control Panel
- ▶ Feeder/Motor
- ▶ Generator
- ▶ Transformer
- ▶ Electrical Distribution

Measuring Parameters

- ▶ V_{L-L} (Individual/Average), V_{L-N} (Individual/Average)
- ▶ Current (Individual/Average)
- ▶ Frequency
- ▶ Earth Leakage current
- ▶ Run Hours

Supply Voltage

Auxiliary Supply 90-270V AC/DC ($\pm 15\%$)
 Frequency 50Hz/60Hz

Display

Display 4 rows of 3 digits,
 7 segment LED display
 Bar graph for percentage load
 Digit Height 0.39" (9.9 mm)

Input Specifications

Electrical Connection 3Ø-4 wire
 Input Voltage Range 0-500V AC (L-L)
 Input Current Range 0.05 A – 6 A AC
 Frequency 45 Hz to 65 Hz
 Resolution Frequency: 0.1 Hz
 Voltage: 1 V
 Current: 0-99: 0.1A
 100-999: 1A
 >1000 : 0.01 kA
 Accuracy Class 1 for voltage and current
 Burden <0.2 VA for voltage and current

Output Specifications

Relay Output 1 C/O potential free contact
 (NO, C & NC) de-energise on fault

Settable Parameters

C. T. Primary 1/5A to 10000A (Programmable)
 C. T. Secondary 1/5A (Programmable)
 Trips Programmable: Under/Over voltage,
 Under/Over Frequency, Under/Over
 Current, Phase reversal, Phase fail,
 Phase loss, Current asymmetry,
 Voltage Asymmetry, Locked rotor,
 Rotor earth fault

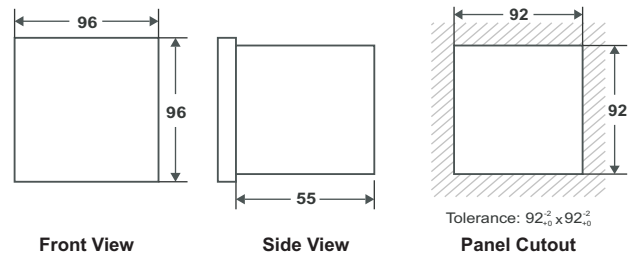
Environmental Specifications

Operating Temperature -10°C to 55°C
 Storage Temperature 20°C to 75°C
 Humidity < 95% RH

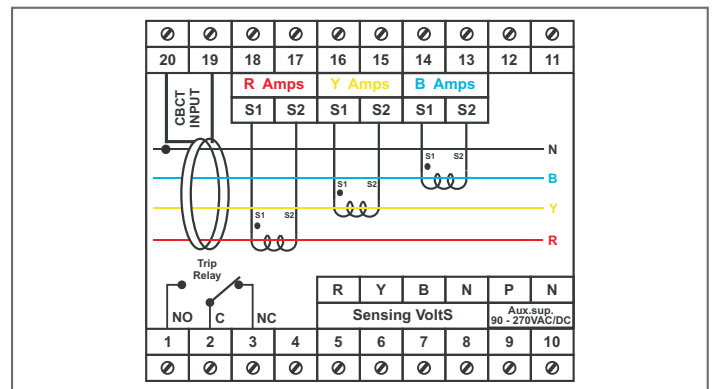
Mechanical Specifications

Mounting Flush Mounting with Side Clamps
 Weight 280 g
 Enclosure Material ABS Thermoplastic

Dimension



Connection Diagram



Connection Diagram

Ordering Code	Description
VIPS 83M	Motor Protection Relay Flush mounted