



Features:

- ▶ Bright LED Display
- ▶ Automatic (using external Under voltage relay) / Manual Start option
- ▶ Programmable Cranking Period / Number of start attempts & Rest Period
- ▶ Provision for remote emergency stop
- ▶ Battery under voltage indication
- ▶ Programmable over speed limit with delay to avoid nuisance tripping



Advantages:

- ▶ Protection of power assets
- ▶ Detection and isolation of faults
- ▶ Speedy tripping to avoid damage
- ▶ Maintain supply continuity of healthy circuit

Applications:

- ▶ Control Panel
- ▶ Feeder/Motor
- ▶ Generator
- ▶ Transformer
- ▶ Electrical Distribution

Measuring Parameters

- ▶ Battery Voltage
- ▶ Frequency
- ▶ RPM
- ▶ Battery Current (using external shunt)
- ▶ Run Hour

Supply Specifications

Auxiliary Supply	8.5 to 32 VDC
Relay Contacts:	Potential free contact (NO & NC) a) Alarm Relay b) Stop/Fuel Relay (2C/O) c) Cranking Relay
Contact Rating	6 A / 230 VAC / 28 VDC
Potential Free Inputs:	A) Start B) Emergency Stop C) Low Oil Pressure D) High Coolant temperature E) Low Fuel Level
Analog Inputs	30 to 300 VAC
Frequency	50-60 Hz

Display

Display	1 st row: 3 digits for Battery Voltage 2 nd row: 4 digits for Battery Current/ RPM
Digit Height	0.56" (14.3 mm)
Display Range	9999

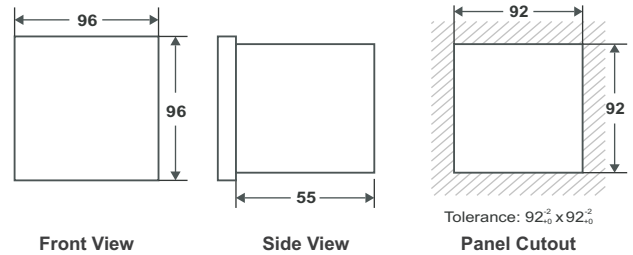
Environmental Specifications

Operating Temperature	-10°C to 55°C
Storage Temperature	20°C to 75°C
Humidity	< 95% RH

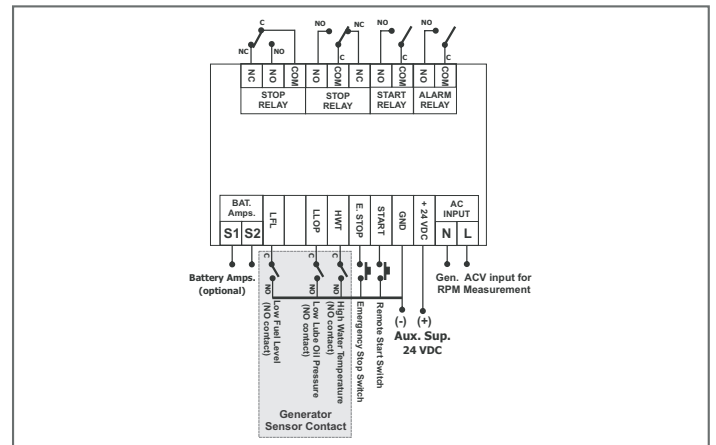
Mechanical Specifications

Mounting	Sturdy, Moulded Delrin with Suitable Hardware
Weight	300 g
Enclosure Material	ABS Thermoplastic

Dimension



Connection Diagram



Ordering Information

Ordering Code	Description
VIPS 801	Engine Protection Unit