



**Features:**

- ▶ Ultra bright LED display
- ▶ Site Programmable CT and PT ratio (Primary and Secondary)
- ▶ True RMS measurement
- ▶ Password protection
- ▶ RS485 computer interface (VIPS 84P only)
- ▶ Optional 60A direct current (External CT)
- ▶ Harmonic measurement (Total & Individual)
- ▶ Auto ranging
- ▶ Universal Auxiliary supply
- ▶ Computer interface RS485



**Advantages:**

- ▶ Energy Management System
- ▶ To caution on the Extra Energy Consumption
- ▶ CT Ratio Site Programmable reduce inventory

**Applications:**

- ▶ Energy Audit
- ▶ Control Panel
- ▶ Distribution Systems
- ▶ Generator Sets

**Measuring Parameters**

- ▶ Active energy
- ▶ Voltage (L-L)
- ▶ Voltage (L-N)
- ▶ Current (line)
- ▶ Power factor (phase)
- ▶ Power (Active, Reactive and Apparent)
- ▶ Frequency (System)
- ▶ Total Harmonic Distortion (Phase wise): Voltage and Current
- ▶ Load hour

**Supply Voltage**

Auxiliary Supply	90-270V A/DC (±15%)
Frequency	50-60 Hz

**Display**

Display	2 rows, LED 1 row of 8 digits for Energy display 1 row of 4 digits for other parameters
Digit Height	0.39" (9.9mm)
Display Scrolling	Automatic/Manual

**Settable Parameters**

C.T. Primary	1/5A to 10000A (Programmable)
C.T. Secondary	1/5A (Programmable)
P.T. Ratio	Programmable upto 132 kV
Display Reset	Energy

**Input Specifications**

Electrical Connection	3Ø-4 wire/1Ø-2 wire
Input Voltage Range	0-500V AC (L-L)
Input Current Range	0.015A-6A AC/Direct 60A (Optional)
Frequency	45-65 Hz
Resolution	<ul style="list-style-type: none"> <li>▶ Energy 0.01 kWh</li> <li>▶ Power factor: 0.001</li> <li>▶ Frequency: 0.01 Hz</li> <li>▶ Voltage: Autoranging</li> <li>▶ Current: Autoranging</li> <li>▶ Power: Autoranging</li> </ul>
Accuracy	<ul style="list-style-type: none"> <li>▶ Voltage ±0.5% of F.S.</li> <li>▶ Power factor ±0.5%</li> <li>▶ Frequency ±0.1%</li> <li>▶ Power (Active, Reactive and Apparent): 1%</li> <li>▶ Energy (Active, reactive and Apparent): Class 1</li> </ul>
Burden	Voltage: 0.2 VA max. per input Current: 0.2 VA max. per input Aux. supply: 3 VA max.

**Output Specification**

Communication	RS485 (VIPS 84P)
---------------	------------------

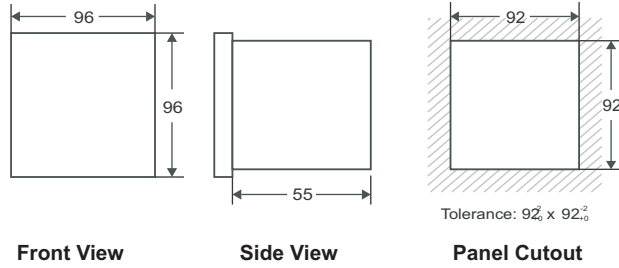
**Environmental Specifications**

Temperature	Operating : -10° to 55°C Storage : -20° to 75°C
Humidity	< 95% RH

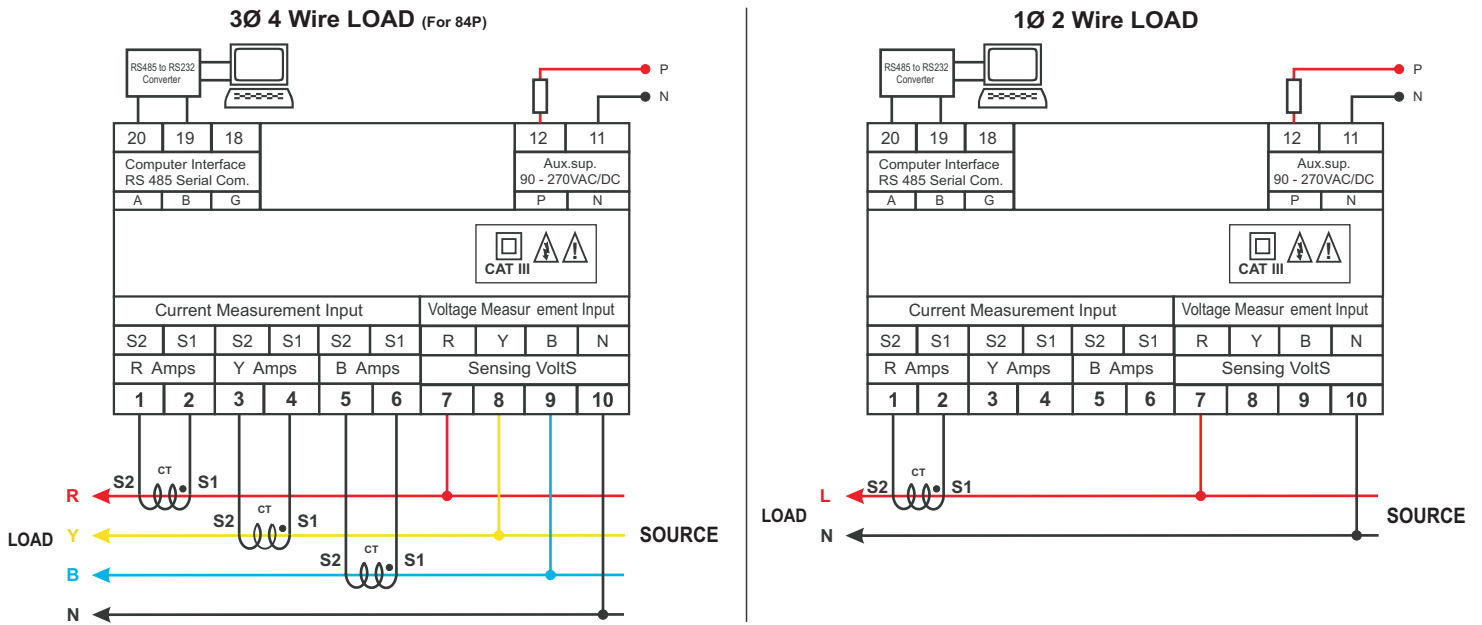
**Mechanical Specifications**

Mounting	Flush Mounting with Side Clamps
Weight	280 gms
Enclosure Material	ABS Thermoplastic

Dimension



Connection Diagram



Ordering Information

Ordering Code	Description	Comm. RS485
VIPS 84	0-5A CT programmable	
VIPS 84P	0-5A CT programmable	