



Features:

- ▶ ABS plastic moulding
- ▶ Apertures accepting a wide range of bus bar
- ▶ Cts are ultrasonically welded and unbreakable



Advantages:

- ▶ Easy bus bar mounting
- ▶ Highly cost effective
- ▶ Compact in size

Applications:

- ▶ Switchgear
- ▶ Distribution system
- ▶ Generator sets
- ▶ Control Panels
- ▶ Control Devices
- ▶ Overload protection

Input Specifications

Rated Primary Current 50A to 750A
 Rated Secondary Output 5A/1A (Consult factory)

Technical Specifications

Rated Burden 1.25VA, 2.5VA, 5VA & 10VA
 Class of Accuracy 1 and 3
 Thermal Nominal Continuous 1.2 times rated current continuously
 Rated Current 2.55x Ith
 Thermal short circuit current 60xIn
 Insulation Class Class E
 Max. Operating Voltage 720V maximum
 Insulation Test Voltage 3KV AC for 1 minute
 Compliance Standard VE404 and IEC185

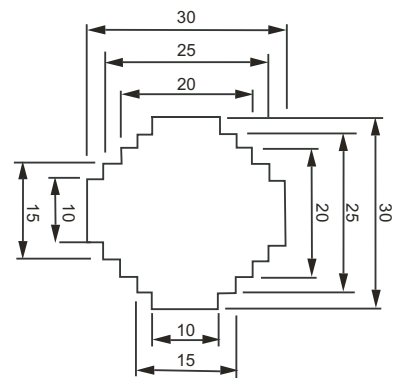
Environmental Specification

Operating Temperature -20°C to 70°C
 Storage Temperature 0°C to 55°C
 Humidity <95% RH

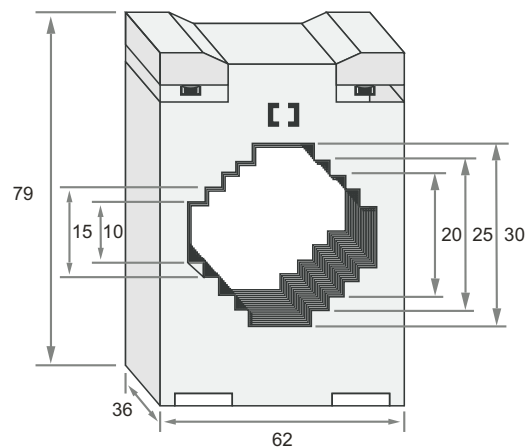
Ordering Information

Ordering Code	Ratio	Class	Burden (VA)
VIPS 3301-50/5-3-1.25	50/5	3	1.25
VIPS 3301-60/5-3-1.25	60/5	1	1.25
VIPS 3301-75/5-3-1.25	75/5	1	1.25
VIPS 3301-80/5-3-1.25	80/5	1	1.25
VIPS 3301-100/5-1-5	100/5	1	5
VIPS 3301-125/5-1-5	125/5	1	5
VIPS 3301-150/5-1-5	150/5	1	5
VIPS 3301-200/5-1-5	200/5	1	5
VIPS 3301-250/5-1-10	250/5	1	10
VIPS 3301-300/5-1-10	300/5	1	10
VIPS 3301-400/5-1-10	400/5	1	10
VIPS 3301-500/5-1-10	500/5	1	10
VIPS 3301-600/5-1-10	600/5	1	10
VIPS 3301-750/5-1-10	750/5	1	10

Dimensions



Bus Bar Dimension (mm) : 10 x 30, 15 x 25, 20 x 20



Outer Dimension : 62 x (W) x 79 (H) x 36 (D)