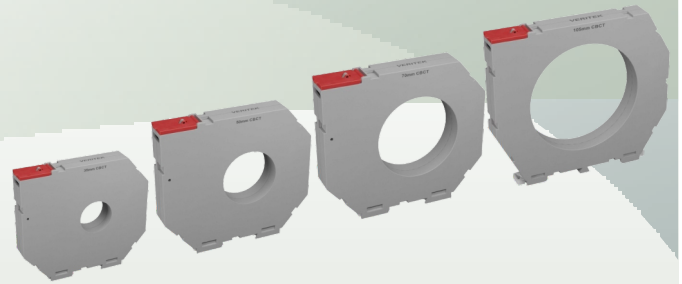




Features:

- ▶ All ratios available to match commonly available ELRs
- ▶ Compact
- ▶ Din Rail Mounting
- ▶ Light weight
- ▶ Encapsulated ABS moulding
- ▶ Terminals are finger proof touch as per IEC 44-1 and IEC185
- ▶ Cost effective



Advantages:

- ▶ Highly linear
- ▶ Highly accurate
- ▶ Light in weight

Applications:

- ▶ For detection of leakage current & transmitting proportional signal to ELR

Technical specifications

System Voltage	720V max.
Insulation Voltage	3 kV for 1 minute
System Frequency	50/60 Hz
Maximum permissible current	1 kA continuous 5 kA for 1.5 sec
Current Ratio	1/1000, 1/600 any other on request 1/500 for class B

Mechanical Specifications

Terminal conductor	≤ 2.5 sq.mm
Distance between toroid and relay	< 50 meters
Enclosure	ABS
Mounting	35mm Dinrail

Environmental Specifications

Operating Temperature	-20°C to 70°C
Humidity	< 95 RH

Dimension

CBCT 35-N

Dimension Diagram

Inner Diameter : 35mm
Weight : 109g

CBCT 50-N

Dimension Diagram

Inner Diameter : 50mm
Weight : 123g

CBCT 70-N

Dimension Diagram

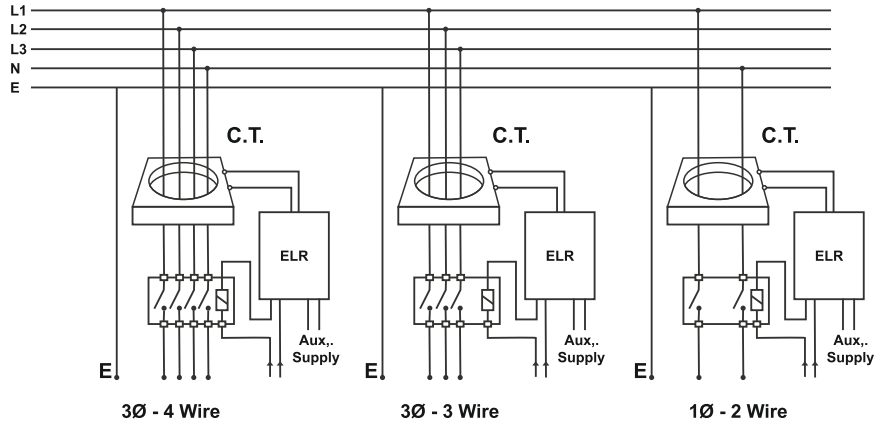
Inner Diameter : 70mm
Weight : 160g

CBCT 105-N

Dimension Diagram

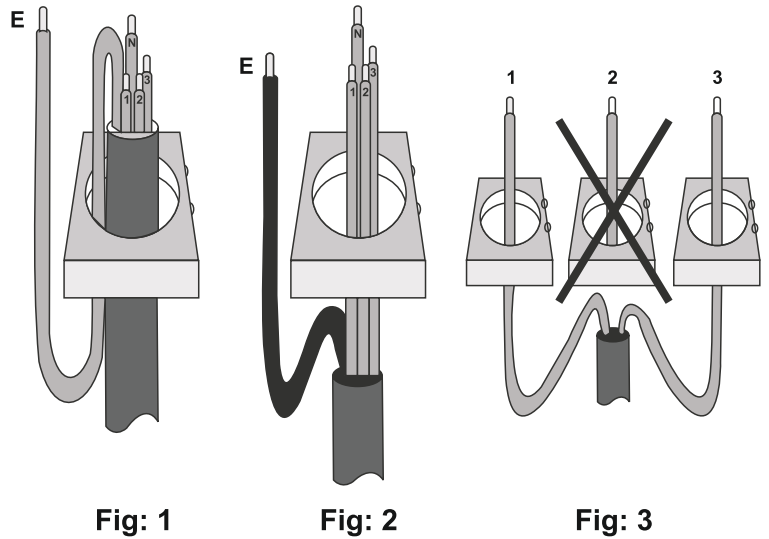
Inner Diameter : 105mm
Weight : 238g

Connection Diagram



Installation Guidelines

- ▶ Correct installation of the Earth Leakage Relay and toroid should ensure trouble free operation, if this documents is followed
 - A) Always ensure the Earth conductor Does Not pass through the toroid. If it is unavoidable, the Earth must be routed back through the toroid again and around, as shown in Fig:2 beside
 - B) As a rule, select a toroid that has an inside diameter which is twice that or greater than the outsider diameter of the cables to be passed through
 - C) Ensure the cable is central in the toroid.
 - D) Place the toroid on a straight, section of cable, not near a bend.
 - E) Keep the cable and toroid from intense magnetic fields from nearby equipment.
 - F) Do not pass individual through separate toroids, as shown in Fig: 3.



Ordering Information

Ordering Code	Description
Standard	
CBCT 35-N-1000	ABS moulded CBCT 35mm ID with 1/1000 current ratio
CBCT 50-N-1000	ABS moulded CBCT 50mm ID with 1/1000 current ratio
CBCT 70-N-1000	ABS moulded CBCT 70mm ID with 1/1000 current ratio
CBCT 105-N-1000	ABS moulded CBCT 105mm ID with 1/1000 current ratio

▶ Any other Ratio on Request.