



VERITEK

SEMICONDUCTOR HEATER



VIPS- SPR 140 Series / 15W to 150W

TECHNICAL DATA

Operating Voltage	120-240VAC/DC*(min.110V,max.265V)
Accessories	Screw fixing
Heater body	Extruded aluminium profile, anodised
Connection casing	Plastic according to UL94 V-0, black
Fitting position	Vertical Air Flow
Op./storage temperature	-45 to +70°C
Prot. type / Prot. class	IP20 / I (earthed)
Mounting	Clip for 35mm DIN rail, EN 60715
Heating element	PTC resistor, temperature limiting
Connection	3 pressure clamps for stranded wire 0.5-1.5mm ² (with wire end ferrule) and rigid wire 0.5-2.5mm ²

* voltages below 140V AC/DC reduces heating performance by approx. 10%.

Art. No.	Heating Capacity	Inrush current max.	Length (L)	Weight (approx.)
VIPS SPR-15	15W	1.5A	65mm	0.3kg
VIPS SPR-25	25W	2.5A	65mm	0.3kg
VIPS SPR-30	30W	3.0A	65mm	0.3kg
VIPS SPR-45	45W	3.5A	65mm	0.3kg
VIPS SPR-60	60W	2.5A	140mm	0.4kg
VIPS SPR-75	75W	4.0A	140mm	0.5kg
VIPS SPR-100	100W	4.5A	140mm	0.5kg
VIPS SPR-150	150W	9.0A	220mm	0.7kg

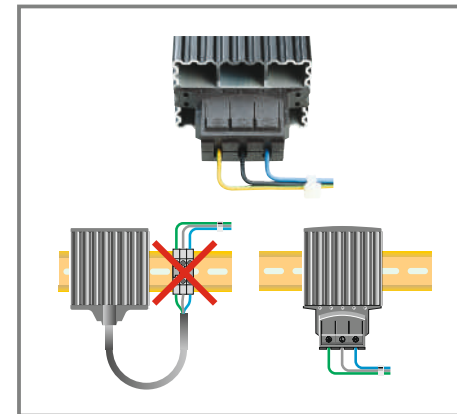
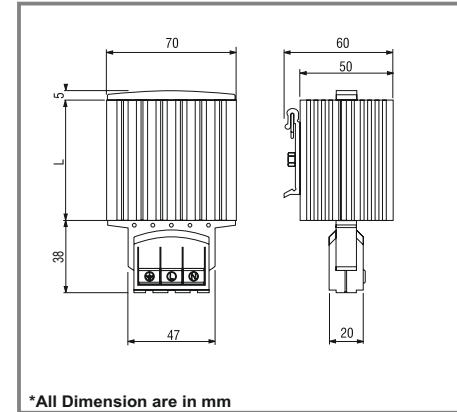
*At 20°C (68°F) ambient temperature.

FEATURES

- (1) Pressure Clamp Connectors for quick installation
- (2) Dynamic heating up
- (3) Wide Voltage Range
- (4) Temperature limiting
- (5) Energy Saving
- (6) Din rail Mounting
- (7) Quick Installation

These heaters are used in enclosures where damage from condensation must be prevented, or where the temperature may not fall below a minimum value. The aluminium profile heater body design has a chimney effect and distributes the heat evenly. The pressure clamp connectors save time and simplify installation.

MECHANICAL DIMENSION



VERITEK ENGINEERING PVT. LTD.

Plot No. 222, EL-Electronic Zone, MIDC, TTC Industrial Area,
Mahape, Navi Mumbai - 400701, India
Tel. : +91-74 0041 5391 / 92 / 93
Email : sales@veritekindia.com | Web : www.veritekindia.com

INSTALLATION AND SAFETY INFORMATION

- 1) The technical specific on the plate must be observed.
- 2) Notice : Hot surface following commissioning. Risk of injury.
- 3) The installation must only be performed by qualified, trained personnel. The application, country-specific regulations regarding power supply are to be observed during installation.
- 4) Safety measures and contact protection are to be ensured by proper installation.
- 5) For safety reasons and to ensure unobstructed air circulation, there must be least 50 mm of space between the heater and components and lines.
- 6) For better heat distribution, the convection heaters are to be installed vertically in the lower area of the electric cabinet (connect from below).
- 7) PTC heaters are not suited for series connection but can be connection in parallel.
- 8) PTC heaters have a brief, yet high, inrush current. This is to be taken into consideration when dimensioning the back-up fuse.
- 9) Caution, radiant and contact heat: the heaters must not be mounted on flammable materials* (*wood, plastic etc).
- 10) Heaters must not be covered.
- 11) Heaters must not be operated in environments with aggressive atmosphere.
- 12) Heaters must not be repaired or modified without permission.

WIRING GUIDELINES :

Warning

- 1) To prevent the risk of electric shock power supply to the equipment must be kept OFF while doing the wiring arrangement.
- 2) Wiring shall be done strictly according to the terminal layout with shortest connection. Confirm that all connection are correct.

CAUTION :



- 1) To ensure the safe operation of unit, check the wiring and connections.