

Features:

- ▶ Ultra bright LED display
- ▶ Site Programmable CT and PT ratio (Primary and Secondary)
- ▶ Password protection
- ▶ 60A direct current (External CT module available)
- ▶ Auto ranging
- ▶ Universal Auxiliary supply
- ▶ LOAD hour
- ▶ RPM (Generator Application)
- ▶ Auto / manual Scroll



Advantages:

- ▶ Reduce panel space, wiring and installation time
- ▶ Scale User adjustable reduces inventory

Applications:

- ▶ Control Panel
- ▶ Distribution System
- ▶ Generator sets
- ▶ Motor Control
- ▶ Test Bench

Measuring Parameters

- ▶ V_{L-L} (Individual/Average)
- ▶ V_{L-N} (Individual/Average)
- ▶ Current (Individual/Average)
- ▶ Power factor (Individual/Average)
- ▶ Active Power (Individual/Total)
- ▶ Apparent Power (Individual/Total)
- ▶ Frequency
- ▶ Load hour
- ▶ RPM

Supply Voltage

| | |
|------------------|---------------|
| Auxiliary Supply | 90-270V AC/DC |
| Frequency | 50/60 Hz |

Display

| | |
|-------------------|--|
| Display | 3 rows, 3 digits, 7 segment LED Display |
| Digit Height | 0.56" (14.3mm) |
| Display Scrolling | Automatic/Manual |

Settable Parameters

| | |
|----------------|------------------------------|
| C.T. primary | 1/5A to 5000A (Programmable) |
| C.T. Secondary | 1/5A (Programmable) |
| P.T. Ratio | Programmable upto 132 kV |

Input Specifications

| | |
|-----------------------|---|
| Electrical Connection | VIPS 83P : 3Ø-4 wire/1Ø-2 wire VIPS 83P1 : 1Ø-2 wire |
| Input Voltage Range | 10-500V AC (L-L) |
| Input Current Range | 0.05A-6A AC/60A AC (Optional) |
| Frequency | 45-65 Hz |
| Resolution | 0.1 Hz for frequency (Auto Ranging for other parameters) |
| Accuracy | ▶ Voltage ±1% of F.S. ▶ Current ±1% of F.S. ▶ Active Power ±1% of F.S. ▶ Apparent Power ±1% of F.S. ▶ Frequency 0.1% of full scale for deflection ▶ Power Factor ±2 for electrical degrees |
| Burden | Voltage: 0.2 VA max. per input Current: 0.2 VA max. per input Aux. supply: 3 VA max. |
| Protection degree | IP20 (Terminals) IP54 (Front of housing) |

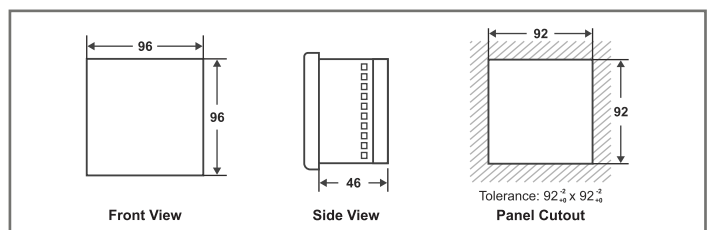
Environmental Specifications

| | |
|-------------|--|
| Temperature | Operating : -10° to 55°C Storage : -20° to 75°C |
| Humidity | < 95% RH |

Mechanical Specifications

| | |
|--------------------|---------------------------------|
| Mounting | Flush Mounting with Side Clamps |
| Weight | 280 gms |
| Enclosure Material | ABS Thermoplastic |

Dimension



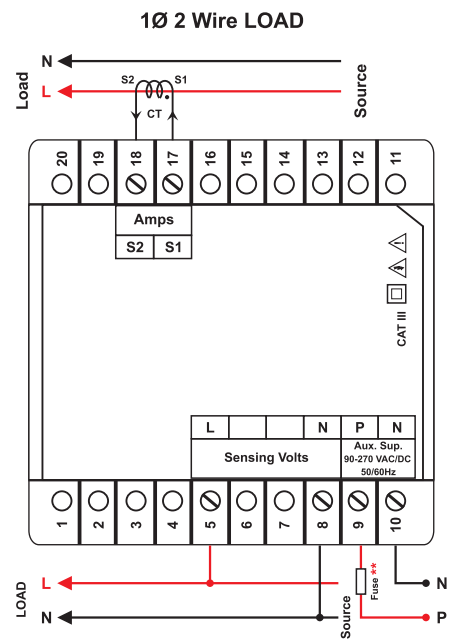
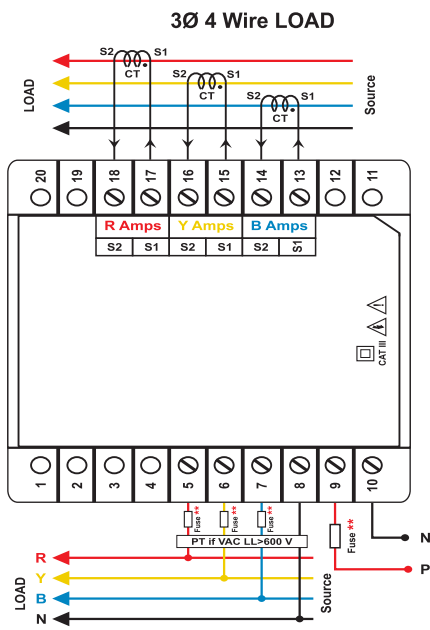
Applicable Standards

| | |
|---|--------------|
| Radiated Emission | CISPR22 |
| Fast Transient Burst Test | IEC61000-4.4 |
| Conducted Emission | IEC61000-6.3 |
| Test of Immunity to Electromagnetic RF Fields | IEC61000-4.3 |
| Test of Immunity to Conducted Disturbances, Induced by Radio-Frequency Fields | IEC61000-4.6 |
| Test of Immunity to Electrostatic Discharges | IEC61000-4.2 |
| Surge Immunity Test | IEC61000-4.5 |

Safety Standards

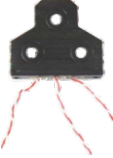

| | |
|-----------------------|--|
| Safety Standard | IEC61010-1 |
| Pollution Degree | II |
| Installation Category | III |
| High Voltage Test | 2 kV AC, 50Hz for 1 Minute Between Aux.& Measuring Inputs |

Connection Diagram



Ordering Information

| Ordering Code | Current Rating |
|-----------------------|---------------------------------------|
| VIPS 83P | 0-5A, CT programmable |
| VIPS 83P-60A-3P-N | 0-60A, external CT for 3 phase (N) |
| VIPS 83P-60A-3P-M | 0-60A, external CT for 3 phase (M) |
| VIPS 83P-60A-3P-NX.X | 0-60A, external CT for 3 phase (NX.X) |
| VIPS 83P1 | 0-5A, CT programmable |
| VIPS 83P1-60A-1P-M | 0-60A, external CT for 1 phase(M) |
| VIPS 83P1-60A-1P-N | 0-60A, external CT for 1 phase(N) |
| VIPS 83P1-60A-1P-NX.X | 0-60A, external CT for 1 phase(NX.X) |

| Accessories | | |
|--|--------|---|
| Description | Code | Photo |
| for external CT of 60A programmed for three phase | 60A-3P |  |
| for external CT of 60A programmed for single phase | 60A-1P |  |

Preference of Accessories

| | |
|---|---|
| The above module to be mounted behind the meter | M |
| The above module to be supplied with 1 meter long Leads | N |